

MANUAL OVERRIDE KNOB & RF PATH INDICATOR (STYLE OF KNOB & INDICATOR MAY VARY)

CONNECTOR MS3112E SERIES (SIZE DEPENDENT ON CKT)

8X ALIGNMENT PIN P/N; 5A-2611 (Ø.0615 +0/- .0005 X .312 LG)

**SPECIFICATIONS;**  
 FREQ RANGE (GHz) — 33.0 - 50.0  
 VSWR — 1.15 : 1 MAX  
 INSERTION LOSS — 0.20 db, MAX  
 ISOLATION — 50 db, MIN  
 SWITCHING TIME — 50 mSec, TYP  
 PRESSURE — TO 30 PSIG (R-F HEAD)  
 FINISH — IRIDITE ON FLANGES, SATIN BLACK ENAMEL ON BODY.

**NOTES:**  
 1. \*\* MANUAL SWITCH DOES NOT INCLUDE RECEPTACLE.  
 2. BLUE BOXES ARE REQUIRED FIELDS.  
 3. !! IF OPTION IS NOT REQUIRED, LEAVE (GOLD BOX) BLANK

VOLTAGE	AMPS	CODE
+22 TO +32	0.9	A
-22 TO -32	0.9	B
+10 TO +14	1.5	C
-10 TO -14	1.5	D
+44 TO +54	0.5	E
-44 TO -54	0.5	F
117VAC	0.5	H
235VAC	0.5	K
MANUAL **		M

**PART NO. SELECTION**

ENVIRONMENTAL	CODE
SHELTERED	W

CODE	FLANGE
P	PLAIN (ROUND)

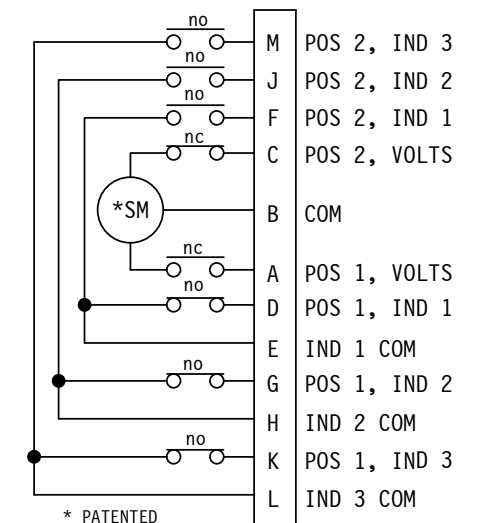
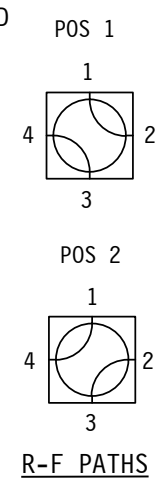
!! OPTION	CODE
METRIC THD	M

(USED IN A SHELTERED ENVIRONMENT)

(THIS SERIES FOR CIRCUIT NO'S 2, 3, 4, 5, 5A, 6 & 6A)

22	P	W
PART NO. SERIES	22	SPDT
CODE	CODE	1
	!! OPTION	CODE

**PART NO. EX.: 22APW2**  
 WR22 LATCHING WG SWITCH, +28VDC, PLAIN ROUND FLANGE, SHELTERED, CKT #2.



\* PATENTED  
 ELECTRICAL CKT # 3  
 Shown in Position 1  
 THREE FORM C'S

WEB SITE: [www.sectormicrowave.com](http://www.sectormicrowave.com)

ZONE	LTR	DESCRIPTION	APV	DATE
	A	RELEASED.	TN	7/25/06
<b>REVISIONS</b>				

TOLERANCES:	DRAWN	AC	7/25/06
DECIMALS	CHECKED		
2 PLACES: +/- .03	APVD	RR	7/25/06
3 PLACES: +/- .010	APVD		
FRACTIONS: +/- 1/32			
ANGLES: +/- 1/2 deg.			

**SECTOR MICROWAVE IND., INC.**

**WR22 WG SW. : LARGE CKT SHELTERED SER.**

SIZE L	CAGE CODE 53263	WR22 LRG CKT SHELTERED	A
SCALE: NONE	UNIT WT.	SHEET 1 OF 1	REV.