

MANUAL OVERRIDE KNOB & RF PATH INDICATOR (STYLE OF KNOB & INDICATOR MAY VARY)

WR22 PLAIN (ROUND) FLANGE
4-40 x .16 DP MIN
(FLANGE PER M3922/67)

8X ALIGNMENT PIN P/N; 5A-2611
(Ø.0615 +0/-0.0005 X .312 LG)

VOLTAGE	AMPS	CODE
+22 TO +32	0.9	A
-22 TO -32	0.9	B
+10 TO +14	1.5	C
-10 TO -14	1.5	D
+44 TO +54	0.5	E
-44 TO -54	0.5	F
117VAC	0.5	H
235VAC	0.5	K
MANUAL **		M

PART NO. SELECTION

ENVIRONMENTAL	CODE
SHELTERED	W

CODE	FLANGE
P	PLAIN (ROUND)

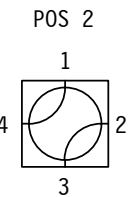
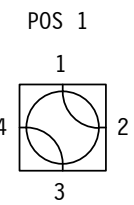
!! OPTION	CODE
METRIC THD	M

22-	 	P	 	 	W
PART NO. SERIES	22-	SPDT	1	!! OPTION	CODE
	CODE				

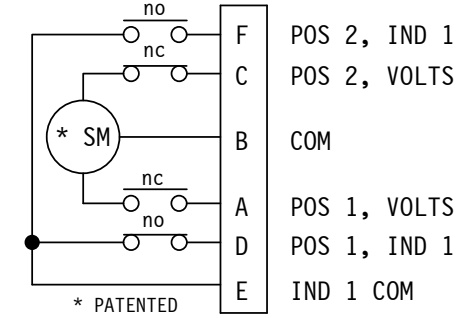
PART NO. EX.: 22-APW
WR22 LATCHING WG SWITCH, +28VDC,
PLAIN ROUND FLANGE, SHELTERED.

(USED IN A SHELTERED ENVIRONMENT)

(THIS SERIES FOR STANDARD CIRCUIT ONLY)



R-F PATHS



* PATENTED
STD. ELECTRICAL CKT.
Shown in Position 1
ONE FORM C

SPECIFICATIONS;
FREQ RANGE (GHz) — 33.0 - 50.0
VSWR — 1.15 : 1 MAX
INSERTION LOSS — 0.20 db, MAX
ISOLATION — 50 db, MIN
SWITCHING TIME — 50 mSec, TYP
PRESSURE — TO 30 PSIG (R-F HEAD)
FINISH — IRIDITE ON FLANGES, SATIN BLACK ENAMEL ON BODY.

NOTES:
1. ** MANUAL SWITCH DOES NOT INCLUDE RECEPTACLE.
2. BLUE BOXES ARE REQUIRED FIELDS.
3. !! IF OPTION IS NOT REQUIRED, LEAVE (GOLD BOX) BLANK

WEB SITE: www.sectormicrowave.com

ZONE	LTR	DESCRIPTION	APV	DATE
	A	RELEASED.	TN	7/25/06
REVISIONS				

TOLERANCES: DECIMALS 2 PLACES: +/- .03 3 PLACES: +/- .010 FRACTIONS: +/- 1/32 ANGLES: +/- 1/2 deg.	DRAWN	AC	7/25/06
	CHECKED		
	APVD	RR	7/25/06
	APVD		

SECTOR MICROWAVE IND., INC.			
WR22 WG SW. : STANDARD CKT SHELTERED SER.			
SIZE	L	CAGE CODE	53263
SCALE: NONE	UNIT WT.	SHEET	1 OF 1
		22-xPW SERIES	A
			REV.