

SPECIFICATIONS:

	WG	COAX
FREQ RANGE	3.63 TO 4.25 GHz	3.63 TO 4.25 GHz
VSWR	1.04 : 1 MAX	1.25 : 1 MAX
INSERTION LOSS	0.01 db MAX	0.25 db MAX
ISOLATION	80 db MIN	60 db MIN
SWITCHING TIME	100 mSec, TYP	
PRESSURE	15 PSIG (R-F HEAD ONLY)	
MATERIAL	ALUMINUM	
LIFE	100,000 CYCLES, MIN.	
FINISH	IRIDITE FOR FLANGES AND SATIN BLACK ENAMEL FOR REST OF BODY.	

VOLTAGE	AMPS	CODE
+22 TO +32	2	A
-22 TO -32	2	B
+10 TO +14	2	C
-10 TO -14	2	D
+44 TO +54	1	E
-44 TO -54	1	F
117VAC	0.5	H
235VAC	0.5	K
MANUAL **		M

PART NO. SELECTION

CODE	FLANGE
F	CPRF
G	CPRG

CODE	!! OPTION
M	METRIC THREAD

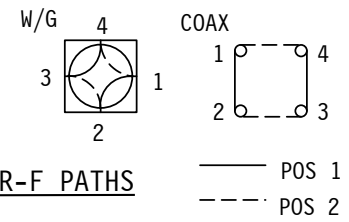
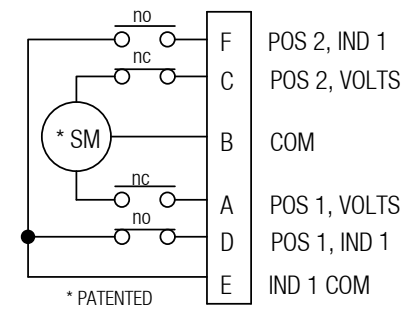
(USED IN A SHELTERED ENVIRONMENT)

CODE	ENVIRONMENTAL
W	SHELTERED

2S							
PART NO. SERIES	2S						
	CODE						
		SPDT	1				
		!! OPTION	CODE				

!! ELECTRICAL CIRCUIT (IF OTHER THAN STD.) SEE SCHEMATIC PAGE

PART NO. EX.: 2SAFMW2  
WR229 DUAL WG/SMA SWITCH, +28VDC, CPRF (FLAT)  
FLANGE, METRIC THDS, SHELTERED, CKT #2.



- NOTES:
- \*\* MANUAL SWITCH DOES NOT INCLUDE RECEPTACLE.
  - BLUE BOXES ARE REQUIRED FIELDS.
  - !! IF OPTION IS NOT REQUIRED, LEAVE (GOLD BOX) BLANK.
  - IF DIFFERENT FREQ RANGE IS REQUIRED, CONTACT COMPANY.

WEB SITE: [www.sectormicrowave.com](http://www.sectormicrowave.com)

A		RELEASED.	R.R.	10/12/06	TOLERANCES: DECIMALS 2 PLACES: +/- .03 3 PLACES: +/- .010 FRACTIONS: +/- 1/64 ANGLES: +/- 1/2 deg.	DRAWN A.C. 10/12/06 CHECKED APVD R.R. 10/12/06 APVD	<b>SECTOR MICROWAVE IND., INC.</b>		WR229 WG/SMA DUAL SWITCH, SHELTERED SERIES		SIZE L MFG CODE <b>53263</b>	<b>2SxxxW SERIES</b>	SCALE: NONE	UNIT WT.	SHEET 1 OF 1	A REV.
ZONE	LTR	DESCRIPTION	APV	DATE												
REVISIONS																