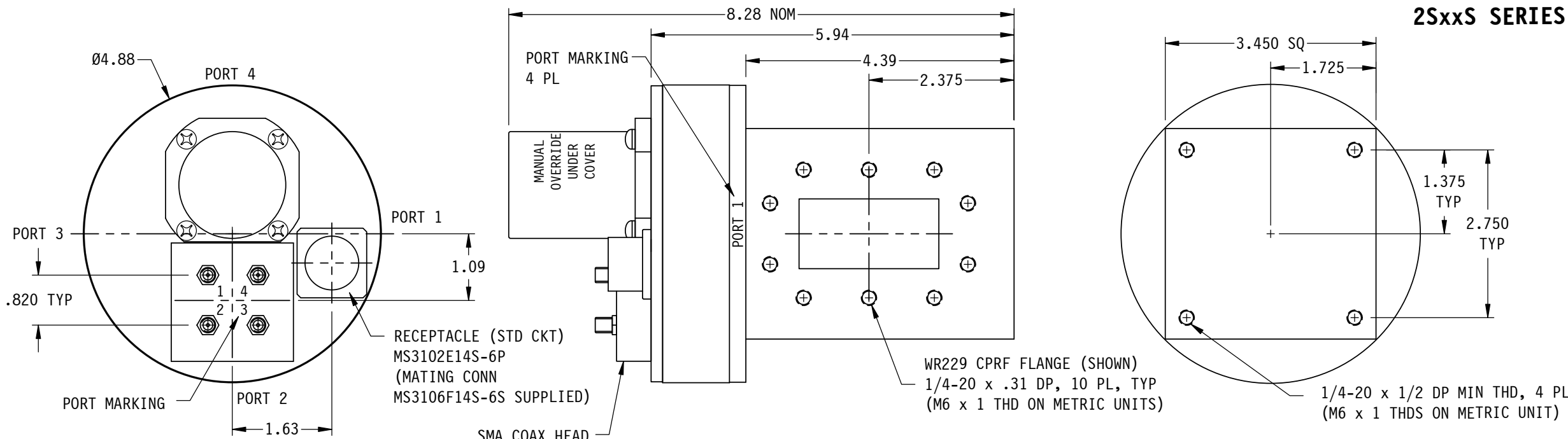


2SxxS SERIES



SPECIFICATIONS:

	WG	COAX
FREQ RANGE	3.63 TO 4.25 GHz	3.63 TO 4.25 GHz
VSWR	1.04 : 1 MAX	1.25 : 1 MAX
INSERTION LOSS	0.01 db MAX	0.25 db MAX
ISOLATION	80 db MIN	60 db MIN
SWITCHING TIME	100 mSec, TYP	
PRESSURE	15 PSIG (R-F HEAD ONLY)	
MATERIAL	ALUMINUM	
LIFE	100,000 CYCLES, MIN.	
FINISH	IRIDITE FOR FLANGES AND SATIN BLACK ENAMEL FOR REST OF BODY.	

NOTES:
 1. ** MANUAL SWITCH DOES NOT INCLUDE RECEPTACLE.
 2. BLUE BOXES ARE REQUIRED FIELDS.
 3. !! IF OPTION IS NOT REQUIRED, LEAVE (GOLD BOX) BLANK

VOLTAGE	AMPS	CODE
+22 TO +32	2	A
-22 TO -32	2	B
+10 TO +14	2	C
-10 TO -14	2	D
+44 TO +54	1	E
-44 TO -54	1	F
117VAC	0.5	H
235VAC	0.5	K
MANUAL **		M

PART NO. SELECTION

CODE	FLANGE
F	CPRF
G	CPRG

CODE	!! OPTION
M	METRIC THREAD

CODE	ENVIRONMENTAL
S	SEALED

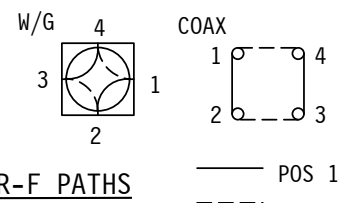
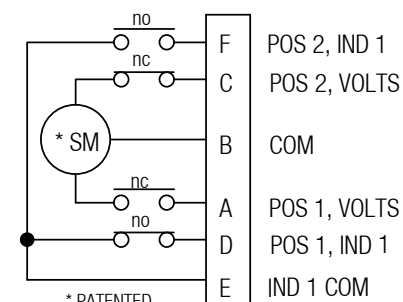
2S					S	
PART NO. SERIES	2S					
	CODE					

SPDT	1
!! OPTION	CODE

!! ELECTRICAL CIRCUIT (IF OTHER THAN STD.) SEE SCHEMATIC PAGE

PART NO. EX.: 2SAFS2
 WR229 DUAL WG/SMA SWITCH, +28VDC, CPRF (FLAT) FLANGE, SEALED, CKT #2.

WEB SITE: www.sectormicrowave.com



ZONE	LTR	DESCRIPTION	APV	DATE
	A	RELEASED.	R.R.	10/12/06
REVISIONS				

TOLERANCES:	DRAWN	A.C.	10/12/06
DECIMALS	CHECKED		
2 PLACES: +/- .03	APVD	R.R.	10/12/06
3 PLACES: +/- .010	APVD		
FRACTIONS: +/- 1/64			
ANGLES: +/- 1/2 deg.			

SECTOR MICROWAVE IND., INC.			
WR229 DUAL SW. SMA, SEALED			
SIZE	L	MFG CODE	53263
2SxxS SERIES		A	
SCALE: 1/2	UNIT WT.	SHEET	1 OF 1
			REV.