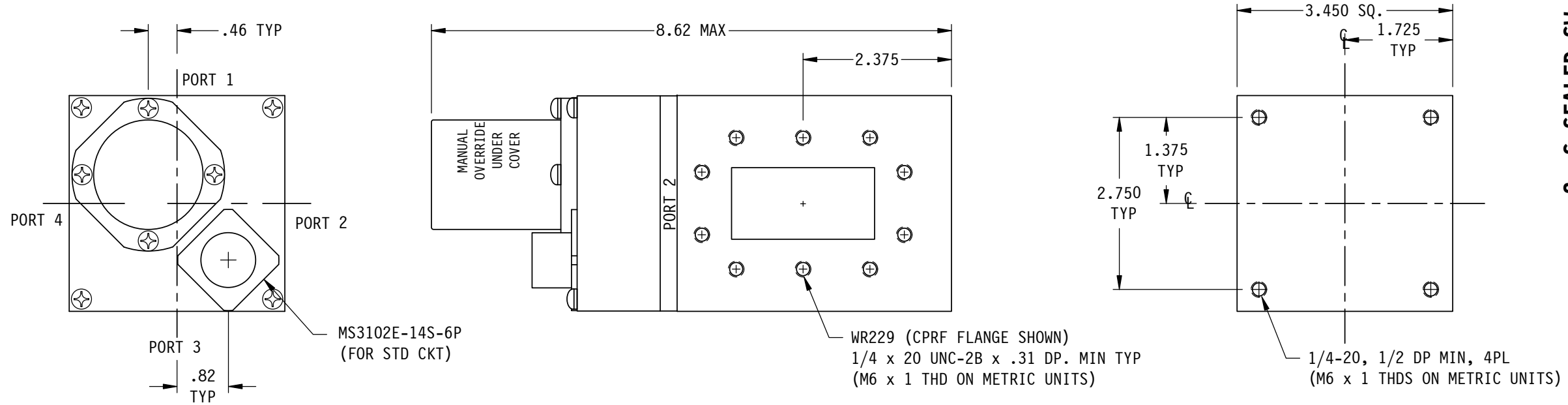


2XXS SEALED SW.



**SPECIFICATIONS:**  
 FREQ RANGE ——— 3.30 TO 4.90 GHz  
 VSWR ——— 1.05 : 1 MAX  
 INSERTION LOSS ——— 0.02 db MAX  
 ISOLATION ——— 80 db MIN  
 SWITCHING TIME ——— 100 mSec  
 PRESSURE ——— TO 30 PSIG  
 MATERIAL ——— ALUMINUM ALLOY  
 FINISH ——— IRIDITE & SATIN BLACK ENAMEL (EXCEPT FLANGE FACES)  
 LIFE ——— 200,000 OPERATIONS MIN.

**NOTES:**  
 1. \*\* MANUAL SWITCH DOES NOT INCLUDE RECEPTACLE.  
 2. BLUE BOXES ARE REQUIRED FIELDS.  
 3. !! IF OPTION IS NOT REQUIRED, LEAVE (GOLD BOX) BLANK

VOLTAGE	AMPS	CODE
+22 TO +32	2	A
-22 TO -32	2	B
+10 TO +14	2	C
-10 TO -14	2	D
+44 TO +54	1	E
-44 TO -54	1	F
117VAC	0.5	H
235VAC	0.5	K
MANUAL **		M

**PART NO. SELECTION**

CODE	FLANGE	CODE	!! OPTION
F	CPRF	M	METRIC THREAD
G	CPRG		

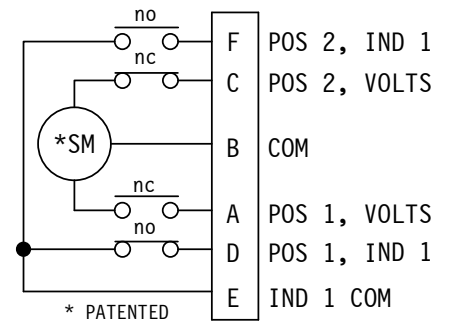
CODE	ENVIRONMENTAL
S	SEALED

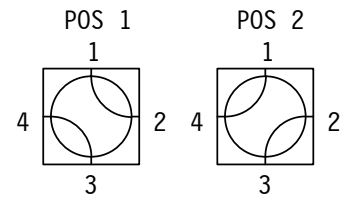
CODE	ENVIRONMENTAL
S	SEALED

CODE	ENVIRONMENTAL
S	SEALED



STD. ELECTRICAL CKT.  
 Shown in Position 1  
 ONE FORM C



R-F PATHS

**PART NO. EX.: 2AGS2**  
 WR229 WG SWITCH, +28VDC, CPRG  
 (GROOVED) FLANGE, SEALED, CKT #2

WEB SITE: [www.sectormicrowave.com](http://www.sectormicrowave.com)

	B	8.62 MAX WAS 8.4 MAX	T.N.	9/5/08	TOLERANCES: DECIMALS 2 PLACES: +/- .03 3 PLACES: +/- .010 FRACTIONS: +/- 1/64 ANGLES: +/- 1/2 deg.	DRAWN	A.C.	10/9/06	<b>SECTOR MICROWAVE IND., INC.</b>
	A	RELEASED.	R.R.	10/9/06		CHECKED			
<b>ZONE</b>	<b>LTR</b>	<b>DESCRIPTION</b>	<b>APV</b>	<b>DATE</b>		APVD	R.R.	10/9/06	SIZE <b>L</b> MFG CODE <b>53263</b> <b>2xxS SEALED SW.</b>
<b>REVISIONS</b>						APVD			SCALE: 1/2 UNIT WT. SHEET 1 OF 1
									<b>B</b> REV.