

SPECIFICATIONS:

- FREQ RANGE _____ 3.30 TO 4.90 GHz
- VSWR _____ 1.05 : 1 MAX
- INSERTION LOSS _____ 0.02 db MAX
- ISOLATION _____ 80 db MIN
- SWITCHING TIME _____ 100 mSec, TYP
- PRESSURE _____ TO 30 PSIG (R-F HEAD ONLY)
- MATERIAL _____ ALUMINUM
- LIFE _____ 100,000 CYCLES, MIN.
- FINISH _____ IRIDITE ON FLANGES, SATIN BLACK ENAMEL ON REST OF BODY.

NOTES:

1. ** MANUAL SWITCH DOES NOT INCLUDE RECEPTACLE.
2. BLUE BOXES ARE REQUIRED FIELDS.
3. !! IF OPTION IS NOT REQUIRED, LEAVE (GOLD BOX) BLANK

VOLTAGE	AMPS	CODE
+22 TO +32	2	A
-22 TO -32	2	B
+10 TO +14	2	C
-10 TO -14	2	D
+44 TO +54	1	E
-44 TO -54	1	F
117VAC	0.5	H
235VAC	0.5	K
MANUAL **		M

PART NO. SELECTION

2	
PART NO.	2
SERIES	CODE

!! OPTION	CODE
METRIC THREAD	M

CODE	FLANGE
F	CPRF
G	CPRG

CODE	KEY REMOVABLE
1	LOCKED POS.
2	LOCKED & UNLOCKED POS.

LOCKING	CODE
L	

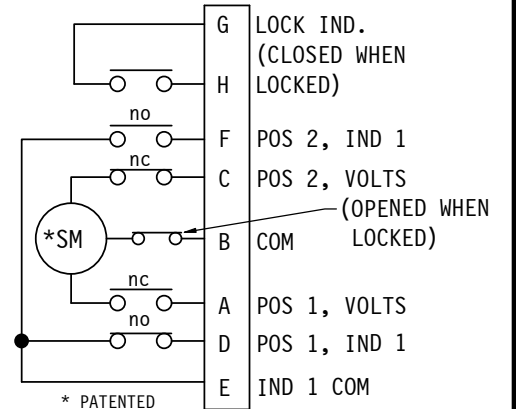
CODE	SW. LOCKED IN POSITION
3	POS. 1 & 2

!! ELECTRICAL CIRCUIT (IF OTHER THAN STD.)

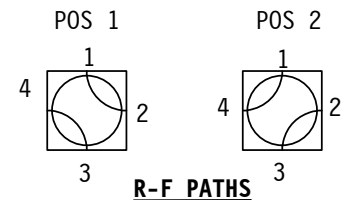
FOR OTHER ELECT CKT's SEE SCHEMATIC PAGE.

PART NO. EX.: 2AFML32

WR29 W/G SW., +28VDC, CPRF FLANGE, METRIC THREADS, LOCKING, BOTH POSITIONS WITH KEY REMOVABLE IN LOCKED & UNLOCKED POS.



STD. ELECTRICAL CKT. (with lock ind.)
Shown in Position 1
ONE FORM C



WEB SITE: www.sectormicrowave.com

ZONE	LTR	DESCRIPTION	APV	DATE
	A	RELEASED.	RR	10/12/06
REVISIONS				

TOLERANCES: DECIMALS	DRAWN	A.C.	10/12/06
2 PLACES: +/- .03	CHECKED		
3 PLACES: +/- .010	APVD	R.R.	10/12/06
FRACTIONS: +/- 1/64	APVD		
ANGLES: +/- 1/2 deg.			

SECTOR MICROWAVE IND., INC.			
WR29 WG SWITCH, LOCKING SERIES			
SIZE	L	MFG CODE	53263
			2xxL3x SERIES
SCALE: NONE	UNIT WT.	SHEET	1 OF 1
			A REV.