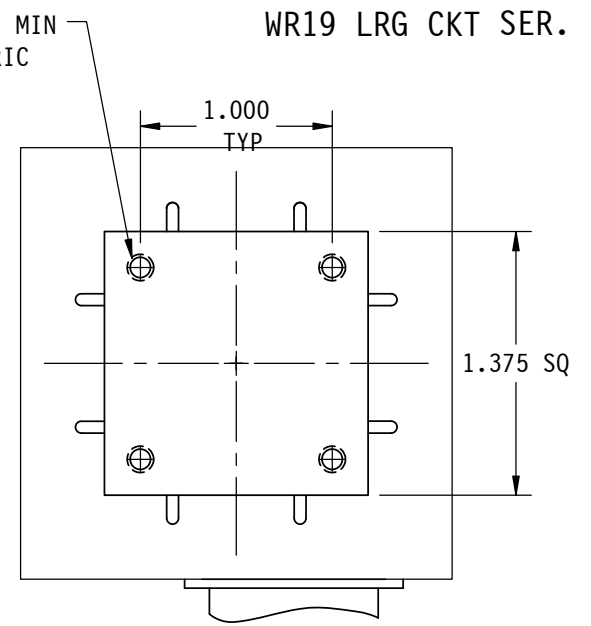


6-32 x 1/4 DP, MIN  
OR M3 FOR METRIC  
OPTION



WR19 PLAIN (ROUND) FLANGE  
4-40 x .16 DP MIN  
(FLANGE PER M3922/67)

**SPECIFICATIONS;**  
 FREQ RANGE (GHz) — 40.0 - 60.0  
 VSWR — 1.15 : 1 MAX  
 INSERTION LOSS — 0.20 db, MAX  
 ISOLATION — 50 db, MIN  
 SWITCHING TIME — 50 mSec, TYP  
 PRESSURE — TO 30 PSIG (R-F HEAD)  
 FINISH — IRIDITE ON FLANGES, SATIN  
 BLACK ENAMEL ON BODY.

**NOTES:**  
 1. \*\* MANUAL SWITCH DOES NOT INCLUDE RECEPTACLE.  
 2. BLUE BOXES ARE REQUIRED FIELDS.  
 3. !! IF OPTION IS NOT REQUIRED, LEAVE (GOLD BOX) BLANK

VOLTAGE	AMPS	CODE
+22 TO +32	0.9	A
-22 TO -32	0.9	B
+10 TO +14	1.5	C
-10 TO -14	1.5	D
+44 TO +54	0.5	E
-44 TO -54	0.5	F
117VAC	0.5	H
235VAC	0.5	K
MANUAL **		M

**PART NO. SELECTION**

!! OPTION	CODE
METRIC THREAD	M

CODE	FLANGE
P	PLAIN (ROUND)

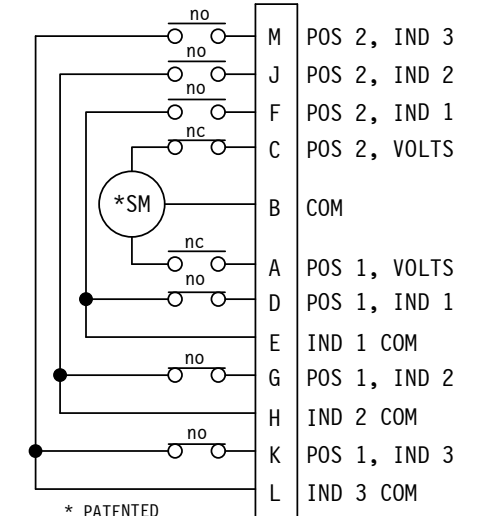
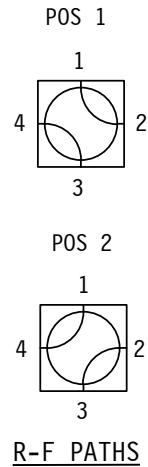
!! OPTION	CODE
SPDT	1

	19				
PART NO. SERIES	19	P			
CODE					

FAILSAFE	F
!! OPTION	CODE

**ELECTRICAL CIRCUIT**  
(INSERT CIRCUIT #)  
SEE SCHEMATIC PAGE

(THIS SERIES FOR  
CIRCUIT NO's  
2, 3, 4, 5, 5A,  
6 & 6A)



\* PATENTED  
 ELECTRICAL CKT # 3  
 Shown in Position 1  
 THREE FORM C's

**PART NO. EX.: 19AP3**  
 WR19 LATCHING WG SWITCH, +28VDC,  
 PLAIN ROUND FLANGE, CIRCUIT #3.

WEB SITE: [www.sectormicrowave.com](http://www.sectormicrowave.com)

ZONE	LTR	DESCRIPTION	APV	DATE
	A	RELEASED.	TN	7/25/06
<b>REVISIONS</b>				

TOLERANCES: DECIMALS 2 PLACES: +/- .03 3 PLACES: +/- .010 FRACTIONS: +/- 1/32 ANGLES: +/- 1/2 deg.	DRAWN	AC	7/25/06
	CHECKED		
	APVD	RR	7/25/06
	APVD		

**SECTOR MICROWAVE IND., INC.**

WR19 WG SW. : LARGE CKT SERIES

SIZE <b>L</b>	CAGE CODE <b>53263</b>	WR19 LRG CKT SER.	A
SCALE: NONE	UNIT WT.	SHEET 1 OF 1	REV.