

SPECIFICATIONS;

FREQ RANGE (GHz)	—	40.0 - 60.0
VSWR	—	1.15 : 1 MAX
INSERTION LOSS	—	0.20 db, MAX
ISOLATION	—	50 db, MIN
SWITCHING TIME	—	50 mSec, TYP
PRESSURE	—	TO 30 PSIG (R-F HEAD)
FINISH	—	IRIDITE ON FLANGES, SATIN BLACK ENAMEL ON BODY.

- NOTES:
- ** MANUAL SWITCH DOES NOT INCLUDE RECEPTACLE.
 - BLUE BOXES ARE REQUIRED FIELDS.
 - !! IF OPTION IS NOT REQUIRED, LEAVE (GOLD BOX) BLANK

VOLTAGE	AMPS	CODE
+22 TO +32	0.9	A
-22 TO -32	0.9	B
+10 TO +14	1.5	C
-10 TO -14	1.5	D
+44 TO +54	0.5	E
-44 TO -54	0.5	F
117VAC	0.5	H
MANUAL **		M

PART NO. SELECTION

!! OPTION	CODE
METRIC THREAD	M

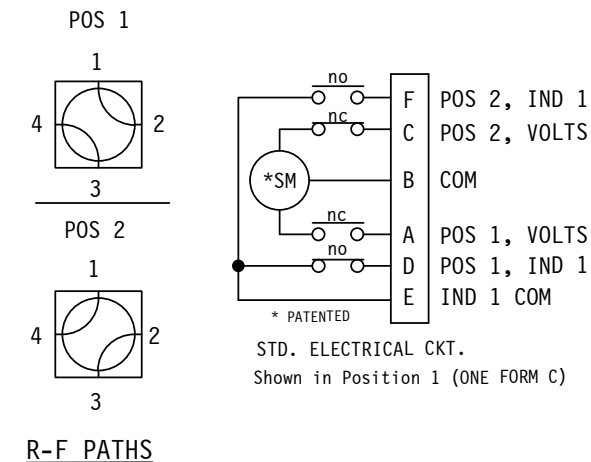
CODE	FLANGE
P	PLAIN (ROUND)

(USED IN A SHELTERED ENVIRONMENT)

CODE	ENVIRONMENTAL
W	SHELTERED

19	P	W
PART NO. SERIES	SPDT	!! OPTION
19	1	
CODE	CODE	

PART NO. EX.: 19APMW
 WR19 LATCHING WG SWITCH, +28VDC, PLAIN ROUND FLANGE, METRIC MTG HOLES ON BOTTOM, SHELTERED



WEB SITE: www.sectormicrowave.com

ZONE	LTR	DESCRIPTION	APV	DATE
	A	ADDED NOTE 1 & CALLOUTS. CLARIFIED FLANGE INFO.	AC	11/3/98
REVISIONS				

TOLERANCES: DECIMALS 2 PLACES: +/- .03 3 PLACES: +/- .010 FRACTIONS: +/- 1/32 ANGLES: +/- 1/2 deg.			DRAWN	AC	10/13/97	SECTOR MICROWAVE IND., INC.
			CHECKED			
			APVD	JP	10/13/97	
			APVD			
			WR19 SHELTERED WG SW			19xx SHELTERED SER
SIZE	L	MFG CODE	53263		A	
SCALE: NONE			UNIT WT.		SHEET 1 OF 1	REV.