

SPECIFICATIONS;
 FREQ RANGE _____ 3.95 TO 5.85 GHz
 VSWR _____ 1.05 : 1 MAX
 INSERTION LOSS — .02 db MAX
 ISOLATION _____ 80 db MIN
 SWITCHING TIME — 80 mSec
 PRESSURE _____ TO 30 PSIG
 FINISH _____ SATIN BLACK ENAMEL PAINT,
 IRIDITE ON FLANGE FACES
 LIFE _____ 200,000 OPERATIONS, MIN.

NOTES:
 1. ** MANUAL SWITCH DOES NOT INCLUDE RECEPTACLE.
 2. BLUE BOXES ARE REQUIRED FIELDS.
 3. !! IF OPTION IS NOT REQUIRED, LEAVE (GOLD BOX) BLANK

VOLTAGE	AMPS	CODE
+22 TO +32	2	A
-22 TO -32	2	B
+10 TO +14	2	C
-10 TO -14	2	D
+44 TO +54	1	E
-44 TO -54	1	F
117VAC	0.5	H
235VAC	0.5	K
MANUAL **		M

PART NO. SELECTION

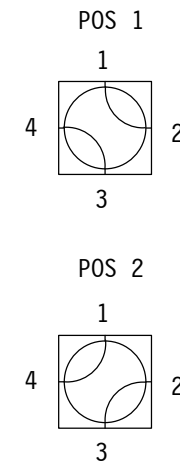
CODE	FLANGE	CODE	!! OPTION
F	CPRF	M	METRIC THREAD
G	CPRG		

CODE	ENVIRONMENTAL
S	SEALED

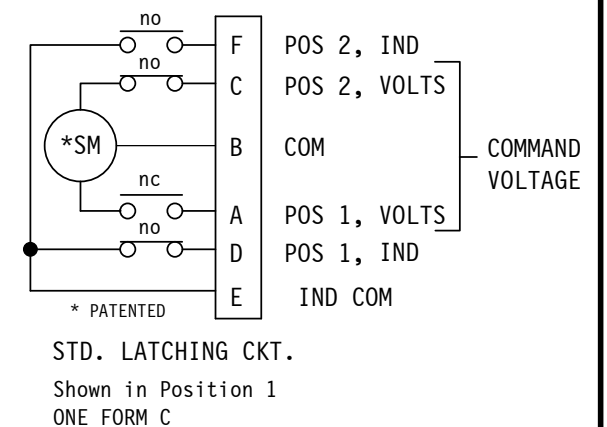
C	SPDT	1	S
PART NO. SERIES	CODE	!! OPTION CODE	

!! ELECTRICAL CIRCUIT (IF OTHER THAN STD.) SEE SCHEMATIC PAGE

PART NO. EX.: CAGS2
 WR187 WG SWITCH, +28VDC, CPRG
 (GROOVED) FLANGE, SEALED, CKT #2



R-F PATHS



WEB SITE: www.sectormicrowave.com

ZONE	LTR	DESCRIPTION	APV	DATE
	A	RELEASED.	RR	10/8/06
REVISIONS				

TOLERANCES: DECIMALS 2 PLACES: +/- .03 3 PLACES: +/- .010 FRACTIONS: +/- 1/64 ANGLES: +/- 1/2 deg.	DRAWN	A.C.	10/8/06
	CHECKED		
	APVD	R.R.	10/8/06
	APVD		

SECTOR MICROWAVE IND., INC.			
WR187 WG SW., SEALED SERIES			
SIZE	L	MFG CODE	53263
		CxxxS SEALED SERIES	A
SCALE: 1=1.5	UNIT WT.	SHEET 1 OF 1	REV.