

**SPECIFICATIONS;**  
 FREQ RANGE (GHz) — 50.0 - 75.0  
 VSWR — 1.20 : 1 MAX  
 INSERTION LOSS — 0.40 db, MAX  
 ISOLATION — 50 db, MIN  
 SWITCHING TIME — 50 mSec, TYP  
 PRESSURE — TO 30 PSIG (R-F HEAD)  
 FINISH — IRIDITE ON FLANGES, SATIN BLACK ENAMEL ON BODY.

**NOTES:**  
 1. \*\* MANUAL SWITCH DOES NOT INCLUDE RECEPTACLE.  
 2. BLUE BOXES ARE REQUIRED FIELDS.  
 3. !! IF OPTION IS NOT REQUIRED, LEAVE (GOLD BOX) BLANK

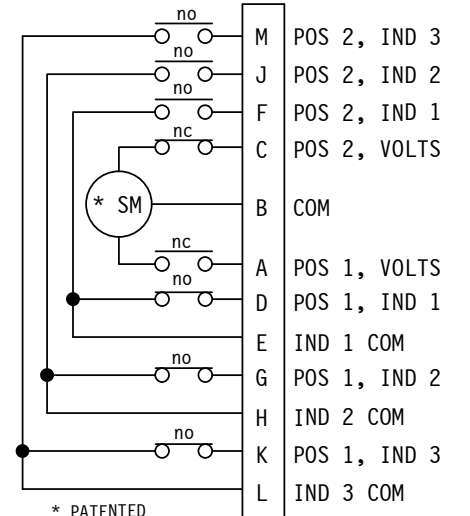
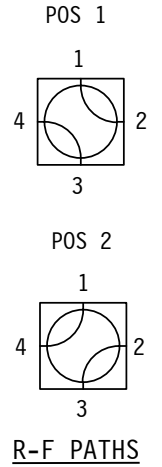
VOLTAGE	AMPS	CODE
+22 TO +32	0.9	A
-22 TO -32	0.9	B
+10 TO +14	1.5	C
-10 TO -14	1.5	D
+44 TO +54	0.5	E
-44 TO -54	0.5	F
117VAC	0.5	H
235VAC	0.5	K
MANUAL **		M

**PART NO. SELECTION**

!! OPTION		CODE
METRIC THREAD		M
CODE	FLANGE	
P	PLAIN (ROUND)	
!! OPTION		CODE
SPDT		1
15	P	
PART NO. SERIES	15	CODE
!! OPTION	CODE	
FAILSAFE	F	
!! OPTION	CODE	

(THIS SERIES FOR CIRCUIT NO'S 2, 3, 4, 5, 5A, 6 & 6A)

**PART NO. EX.: 15AP3**  
 WR15 LATCHING WG SWITCH, +28VDC, PLAIN ROUND FLANGE, CIRCUIT #3.



\* PATENTED  
 ELECTRICAL CKT # 3  
 Shown in Position 1  
 THREE FORM C's

WEB SITE: [www.sectormicrowave.com](http://www.sectormicrowave.com)

A		RELEASED.	TN	7/25/06	TOLERANCES: DECIMALS 2 PLACES: +/- .03 3 PLACES: +/- .010 FRACTIONS: +/- 1/32 ANGLES: +/- 1/2 deg.	DRAWN	AC	7/25/06	<b>SECTOR MICROWAVE IND., INC.</b>
ZONE	LTR	DESCRIPTION	APV	DATE		CHECKED			
REVISIONS						APVD	RR	7/25/06	SIZE L
						APVD			CAGE CODE 53263
								SCALE: NONE	UNIT WT.
								SHEET 1 OF 1	A
									REV.