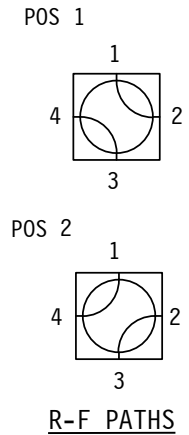
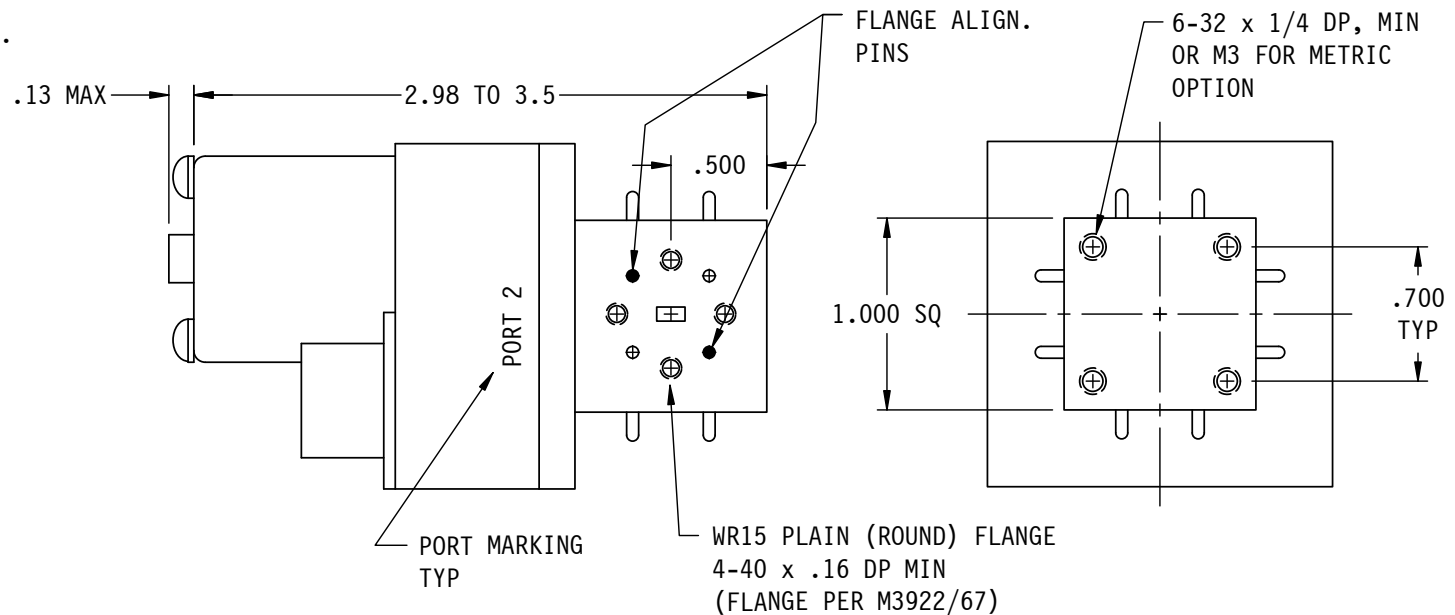
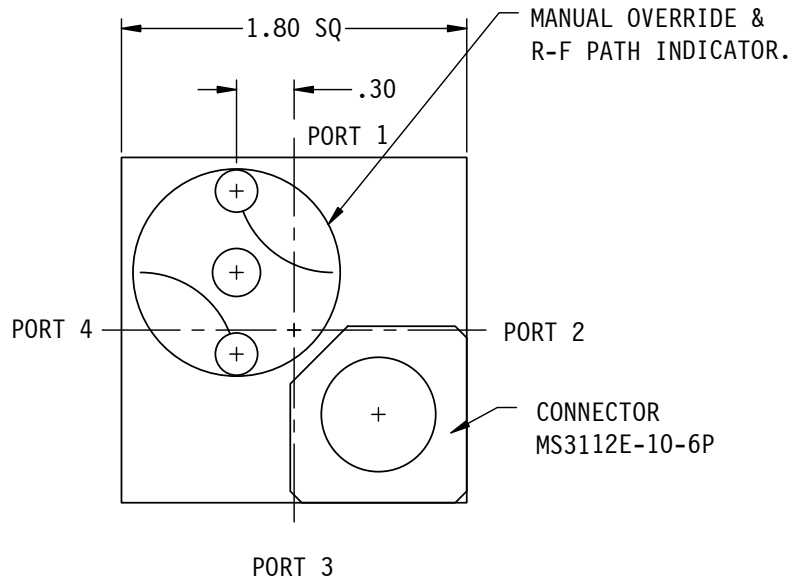


**WR15 SERIES**



**SPECIFICATIONS;**  
 FREQ RANGE (GHz) — 50.0 - 75.0  
 VSWR — 1.20 : 1 MAX  
 INSERTION LOSS — 0.40 db, MAX  
 ISOLATION — 50 db, MIN  
 SWITCHING TIME — 50 mSec, TYP  
 PRESSURE — TO 30 PSIG (R-F HEAD)  
 FINISH — IRIDITE ON FLANGES, SATIN BLACK ENAMEL ON BODY.

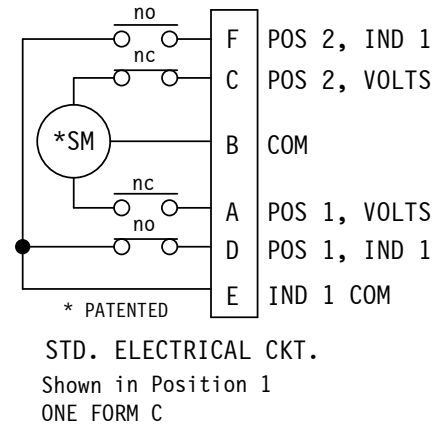
- NOTES:**  
 1. \*\* MANUAL SWITCH DOES NOT INCLUDE RECEPTACLE.  
 2. BLUE BOXES ARE REQUIRED FIELDS.  
 3. !! IF OPTION IS NOT REQUIRED, LEAVE (GOLD BOX) BLANK

VOLTAGE	AMPS	CODE	PART NO. SELECTION	
+22 TO +32	0.9	A	!! OPTION	CODE
-22 TO -32	0.9	B	METRIC THREAD	M
+10 TO +14	1.5	C	CODE	FLANGE
-10 TO -14	1.5	D	P	PLAIN (ROUND)
+44 TO +54	0.5	E		
-44 TO -54	0.5	F		
117VAC	0.5	H		
MANUAL **		M		

15	P	
PART NO. SERIES	15 CODE	SPDT !! OPTION CODE
		1

**PART NO. EX.: 15APM**  
 WR15 LATCHING WG SWITCH, +28VDC, PLAIN ROUND FLANGE, METRIC MTG HOLES ON BOTTOM



WEB SITE: [www.sectormicrowave.com](http://www.sectormicrowave.com)

ZONE	LTR	DESCRIPTION	APV	DATE	TOLERANCES:	DRAWN	A.C.	10/17/97	SECTOR MICROWAVE IND., INC.	
	B	DELETED FAILSAFE OPTION	TN	2/12/08	DECIMALS	CHECKED			WR15 WG SW. : LIGHTWT. SER.	
	A	ADDED NOTE 1 & CALLOUTS. CLARIFIED FLANGE INFO.	AC	12/21/98	2 PLACES: +/- .03	APVD	J.P.	10/17/97	SIZE L	CAGE CODE 53263
<b>REVISIONS</b>					3 PLACES: +/- .010	APVD			WR15 SERIES	B
					FRACTIONS: +/- 1/64			SCALE	UNIT WT.	SHEET 1 OF 1
					ANGLES: +/- 1/2 deg.					REV.