

SPECIFICATIONS;
 FREQ RANGE (GHz) — 50.0 - 75.0
 VSWR — 1.20 : 1 MAX
 INSERTION LOSS — 0.40 db, MAX
 ISOLATION — 50 db, MIN
 SWITCHING TIME — 50 mSec, TYP
 PRESSURE — TO 30 PSIG (R-F HEAD)
 FINISH — IRIDITE ON FLANGES, SATIN BLACK ENAMEL ON BODY.

NOTES:
 1. ** MANUAL SWITCH DOES NOT INCLUDE RECEPTACLE.
 2. BLUE BOXES ARE REQUIRED FIELDS.
 3. !! IF OPTION IS NOT REQUIRED, LEAVE (GOLD BOX) BLANK

VOLTAGE	AMPS	CODE
+22 TO +32	0.9	A
-22 TO -32	0.9	B
+10 TO +14	1.5	C
-10 TO -14	1.5	D
+44 TO +54	0.5	E
-44 TO -54	0.5	F
117VAC	0.5	H
MANUAL **		M

PART NO. SELECTION

!! OPTION	CODE
METRIC THREAD	M

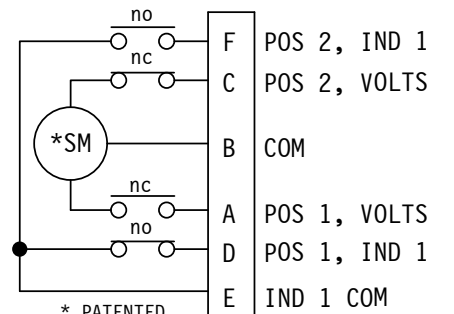
CODE	FLANGE
P	PLAIN (ROUND)

(USED IN A SHELTERED ENVIRONMENT)

CODE	ENVIRONMENTAL
W	SHELTERED

15	P	W
PART NO. SERIES	SPDT	!! OPTION
15	1	
CODE	CODE	

PART NO. EX.: 15APMW
 WR15 LATCHING WG SWITCH, +28VDC, PLAIN ROUND FLANGE, METRIC MTG HOLES ON BOTTOM, SHELTERED



* PATENTED
 STD. ELECTRICAL CKT.
 Shown in Position 1
 ONE FORM C

WEB SITE: www.sectormicrowave.com

ZONE	LTR	DESCRIPTION	APV	DATE
	A	ADDED NOTE 1 & CALLOUTS. CLARIFIED FLANGE INFO.	AC	12/21/98
REVISIONS				

TOLERANCES: DECIMALS 2 PLACES: +/- .03 3 PLACES: +/- .010 FRACTIONS: +/- 1/64 ANGLES: +/- 1/2 deg.		DRAWN	A.C.	10/17/97	SECTOR MICROWAVE IND., INC.
		CHECKED			
		APVD	J.P.	10/17/97	
		APVD			
		WR15 SHELTERED WG SW			SIZE L CAGE CODE 53263
		SCALE			UNIT WT.
		SHEET 1 OF 1			REV. A