

SPECIFICATIONS:

- FREQ RANGE — 4.90 TO 7.05 GHz
- VSWR — 1.05 : 1 MAX
- INSERTION LOSS — 0.02 db MAX
- ISOLATION — 70 db MIN
- SWITCHING TIME — 80 mSEC TYP
- PRESSURE — TO 30 PSIG (R-F HEAD ONLY)
- MATERIAL — ALUMINUM HOUSING
- FINISH — IRIDITE & SATIN BLACK ENAMEL (EXCEPT FLANGE FACES)
- LIFE — 200,000 OPERATIONS, MIN.

NOTES:

1. ** MANUAL SWITCH DOES NOT INCLUDE RECEPTACLE.
2. BLUE BOXES ARE REQUIRED FIELDS.
3. !! IF OPTION IS NOT REQUIRED, LEAVE (GOLD BOX) BLANK

CONNECTOR
MS3112E-10-6P
(FOR STD CKT)

VOLTAGE	AMPS	CODE
+22 TO +32	2	A
-22 TO -32	2	B
+10 TO +14	2	C
-10 TO -14	2	D
+44 TO +54	1	E
-44 TO -54	1	F
117VAC	0.5	H
235VAC	0.5	K
MANUAL **		M

PART NO. SELECTION

CODE	FLANGE	CODE	!! OPTION
F	CPRF	M	METRIC THREAD
G	CPRG		

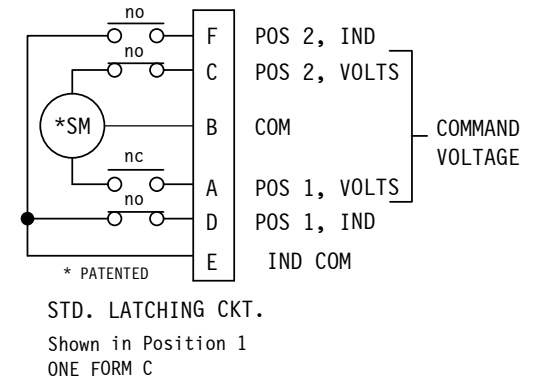
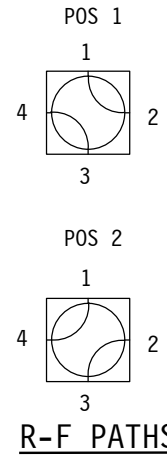
CODE	ENVIRONMENTAL
S	SEALED

PART NO.	5	SPDT	1
	SERIES		CODE

!! ELECTRICAL CIRCUIT (IF OTHER THAN STD.) SEE SCHEMATIC PAGE

PART NO. EX.: 5AGS2

WR159 WG SWITCH, +28VDC, CPRG (GROOVED) FLANGE, SEALED, CKT #2



WEB SITE: www.sectormicrowave.com

ZONE	LTR	DESCRIPTION	APV	DATE
	-	RELEASED.	JP	7/11/89
REVISIONS				

TOLERANCES:			
DECIMALS	DRAWN	A.C.	7/11/89
2 PLACES: +/- .03	CHECKED		
3 PLACES: +/- .010	APVD	J.P.	7/11/89
FRACTIONS: +/- 1/64	APVD		
ANGLES: +/- 1/2 deg.			

SECTOR MICROWAVE IND., INC.			
WR159 WG SWITCH, SEALED VERSION			
SIZE	L	MFG CODE	53263
			5xxxS (SEALED SER.)
SCALE: NONE	UNIT WT.	SHEET 1 OF 1	REV.