

**SPECIFICATIONS:**

- FREQ RANGE — 4.90 TO 7.05 GHz
- VSWR — 1.05 : 1 MAX
- INSERTION LOSS — 0.02 db MAX
- ISOLATION — 70 db MIN
- PRESSURE — TO 30 PSIG (R-F HEAD ONLY)
- LIFE — 100,000 CYCLES MIN
- SWITCHING TIME — 80 mSec, NOM.
- FINISH — SATIN BLACK ENAMEL, IRIDITE ON FLANGE FACES.

**PART NO. SELECTION**

VOLTAGE	AMPS	CODE
+22 TO +32	2	A
-22 TO -32	2	B
+10 TO +14	2	C
-10 TO -14	2	D
+44 TO +54	1	E
-44 TO -54	1	F
117VAC	0.5	H
235VAC	0.5	K
MANUAL **		M

CODE	FLANGE
F	CPRF
G	CPRG

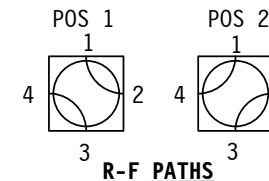
LOCKING	CODE
	L

CODE	SW. LOCKED IN POSITION
1	POS. 1
2	POS. 2
3	POS. 1 & 2

**!! ELECTRICAL CIRCUIT (IF OTHER THAN STD.) SEE SCHEMATIC PAGE**

CODE	!! OPTION
1	SPDT

CODE	KEY REMOVABLE
1	LOCKED POS.
2	LOCKED & UNLOCKED POS.

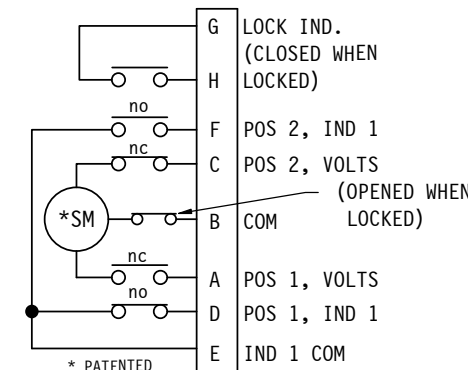


**NOTES:**

- \*\* MANUAL SWITCH DOES NOT INCLUDE RECEPTACLE.
- BLUE BOXES ARE REQUIRED FIELDS.
- !! IF OPTION IS NOT REQUIRED, LEAVE (GOLD BOX) BLANK

	<b>5</b>			
PART NO. SERIES	5			
	CODE			
		METRIC THREAD	M	
		!! OPTION	CODE	

(PART NO. EX.) 5AF2L32  
 WR159 W/G SW., +28VDC, CPRF FLANGE, CKT #2  
 LOCKING, BOTH POSITIONS WITH KEY REMOVABLE IN LOCKED & UNLOCKED POS.



STD. ELECTRICAL CKT. (with lock ind.)  
 Shown in Position 1  
 ONE FORM C

WEB SITE: [www.sectormicrowave.com](http://www.sectormicrowave.com)

ZONE	LTR	DESCRIPTION	APV	DATE
		RELEASED.	R.K.	7/19/00
<b>REVISIONS</b>				

TOLERANCES:	DRAWN	A.C.	7/19/00
DECIMALS	CHECKED		
2 PLACES: +/- .03	APVD	R.K.	7/19/00
3 PLACES: +/- .010	APVD		
FRACTIONS: +/- 1/64			
ANGLES: +/- 1/2 deg.			

<b>SECTOR MICROWAVE IND., INC.</b>			
WR159 WG SWITCH, LOCKING SERIES			
SIZE	L	MFG CODE	53263
SCALE: NONE	UNIT WT.	5xxxLxx SERIES	A
		SHEET 1 OF 1	REV.