

SPECIFICATIONS;

	W/G	COAX
FREQ RANGE	5.8 TO 6.5 GHz	
INSERTION LOSS	0.02 db MAX	0.3 db MAX
VSWR	1.05 : 1 MAX	1.30 : 1 MAX
ISOLATION	60 db MIN	60 db MIN
R-F POWER	15 KWA	50 WATTS
PRESSURE	30 PSIG	
SWITCHING TIME	75 mSEC, TYP	
DRIVE	LATCHING, SECTOR MOTOR	
VOLTAGE	SEE P/N SELECTION	
FINISH	IRIDITE ON FLANGES, SATIN	BLACK FINISH ON BODY

- NOTES:
- ** MANUAL SWITCH DOES NOT INCLUDE RECEPTACLE.
 - BLUE BOXES ARE REQUIRED FIELDS.
 - !! IF OPTION IS NOT REQUIRED, LEAVE (GOLD BOX) BLANK.
 - IF DIFFERENT FREQ RANGE IS REQUIRED, CONTACT COMPANY.

PART NO. SELECTION

VOLTAGE	AMPS	CODE
+22 TO +32	0.9	A
-22 TO -32	0.9	B
+10 TO +14	1.5	C
-10 TO -14	1.5	D
+44 TO +54	0.5	E
-44 TO -54	0.5	F
117VAC	1.2	H
235VAC	0.6	K
MANUAL **		M

CODE	FLANGE
F	CPRF
G	CPRG
M	CMR

CODE	!! OPTION
1	SPDT

CODE	!! OPTION
M	METRIC THREAD

PART NO.	3S-
SERIES	CODE

3S-

[Blue Box]

[Gold Box]

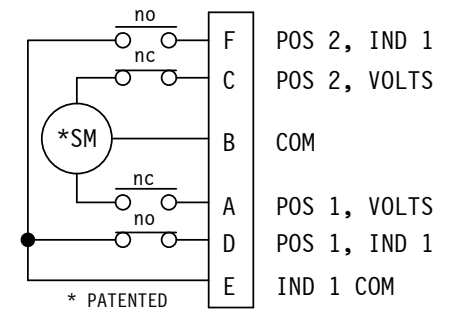
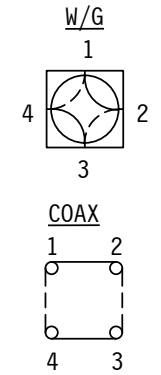
[Gold Box]

[Gold Box]

!! ELECTRICAL CIRCUIT (IF OTHER THAN STD.) SEE SCHEMATIC PAGE

PART NO. EX.: 3S-AFM2

WR137 DUAL WG/SMA SWITCH, +28VDC, CPRF (FLAT) FLANGE, METRIC THDS, CIRCUIT #2.



— POS 1
- - - POS 2

R-F PATHS

WEB SITE: www.sectormicrowave.com

ZONE	LTR	DESCRIPTION	APV	DATE
	A	RELEASED	RR	12/17/03
REVISIONS				

TOLERANCES:	DRAWN	J TRACY	12/17/03
DECIMALS	CHECKED		
2 PLACES: +/- .03	APVD	RR	12/17/03
3 PLACES: +/- .010	APVD		
FRACTIONS: +/- 1/32			
ANGLES: +/- 1/2 deg.			

SECTOR MICROWAVE IND., INC.			
WR137 W/G-SMA SW., STANDARD SER.			
SIZE L	CAGE CODE 53263	3S-xx Std Series	A
SCALE: NONE	UNIT WT.	SHEET 1 OF 1	REV.