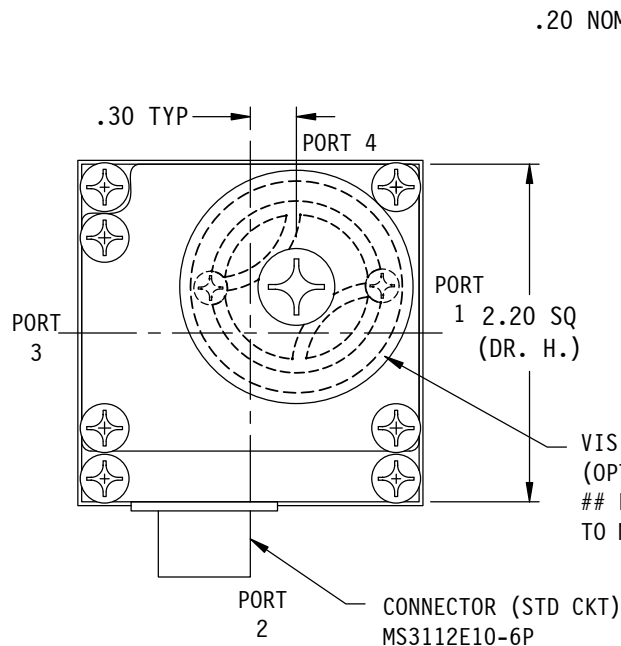
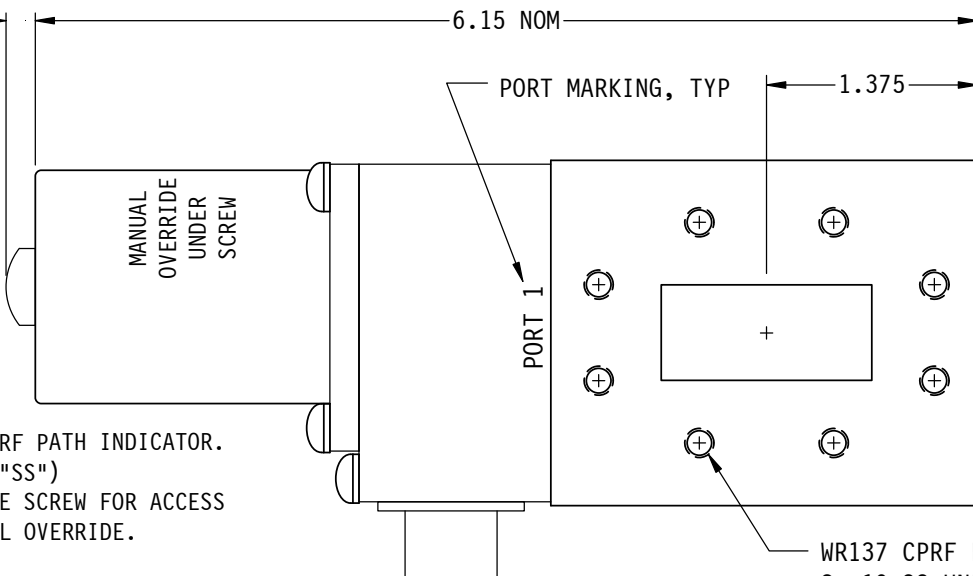


3-xxS SEALED SER.

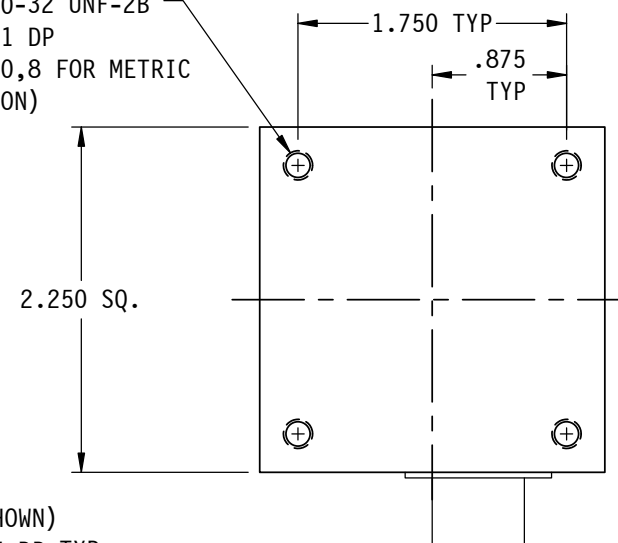


VISIBLE RF PATH INDICATOR.
(OPTION "SS")
REMOVE SCREW FOR ACCESS
TO MANUAL OVERRIDE.



WR137 CPRF FLANGE (SHOWN)
8x10-32 UNF-2B x .25 DP TYP
(M5x0,8 FOR METRIC OPTION)

4x 10-32 UNF-2B
x .31 DP
(M5x0,8 FOR METRIC
OPTION)



SPECIFICATIONS:

- FREQ RANGE 5.85 TO 8.20 GHz
- VSWR 1.05 : 1 MAX
- INSERTION LOSS 0.02 db MAX
- ISOLATION 60 db MIN
- SWITCHING TIME 60 mSEC, TYP
- PRESSURE TO 30 PSIG (R-F HEAD)
- FINISH IRIDITE ON FLANGES,
SATIN BLACK FINISH
ON REST OF BODY

NOTES:

1. ** MANUAL SWITCH DOES NOT INCLUDE RECEPTACLE.
2. BLUE BOXES ARE REQUIRED FIELDS.
3. !! IF OPTION IS NOT REQUIRED, LEAVE (GOLD BOX) BLANK

VOLTAGE	AMPS	CODE
+22 TO +32	0.9	A
-22 TO -32	0.9	B
+10 TO +14	1.5	C
-10 TO -14	1.5	D
+44 TO +54	0.5	E
-44 TO -54	0.5	F
117VAC	0.5	H
235VAC	0.5	K
MANUAL **		M

PART NO. SELECTION

CODE	FLANGE
F	CPRF
G	CPRG
M	CMR

CODE	!! OPTION
M	METRIC THREAD

!! OPTION	CODE
SPDT	1

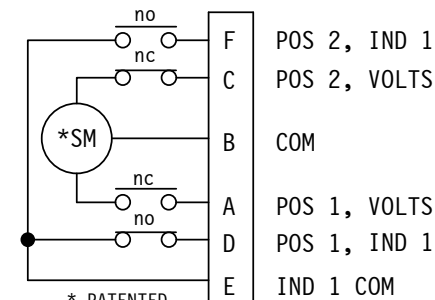
CODE	ENVIRONMENTAL
S	SEALED
SS	## SEALED WITH REMOVABLE SCREW

PART NO. SERIES	3-	<div style="border: 2px solid blue; width: 20px; height: 20px; display: inline-block;"></div>	<div style="border: 2px solid blue; width: 20px; height: 20px; display: inline-block;"></div>	<div style="border: 1px solid gold; width: 20px; height: 20px; display: inline-block;"></div>	<div style="border: 1px solid gold; width: 20px; height: 20px; display: inline-block;"></div>
	CODE	FAILSAFE	F	!! OPTION	CODE

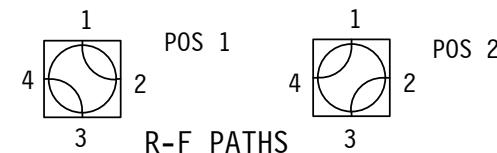
PART NO. EX.: 3-AG1MS2

WR137 LATCHING WG SWITCH, +28VDC, CPRG FLANGE, SPDT (PORT 4 COVER PL), METRIC THREADS, SEALED, CKT #2 (2 FORM C's)

TOP EXTERIOR SCREW
CAN BE REMOVED ALLOWING
ACCESS TO MANUAL OVERRIDE.
No. 1 PHILLIPS
SCREWDRIVER REQUIRED.



* PATENTED
STD. ELECTRICAL CKT.
Shown in Position 1
ONE FORM C



WEB SITE: www.sectormicrowave.com

ZONE	LTR	DESCRIPTION	APV	DATE
	A	RELEASED	RR	12/17/03
REVISIONS				

TOLERANCES: DECIMALS 2 PLACES: +/- .03 3 PLACES: +/- .010 FRACTIONS: +/- 1/32 ANGLES: +/- 1/2 deg.	DRAWN	J TRACY	12/17/03
	CHECKED		
	APVD	RR	12/17/03
	APVD		

SECTOR MICROWAVE IND., INC.			
WR137 SEALED W/G SWITCH SERIES			
SIZE	L	CAGE CODE	53263
		3-xxS SEALED SER.	
SCALE: NONE	UNIT WT.	SHEET 1 OF 1	
			A REV.