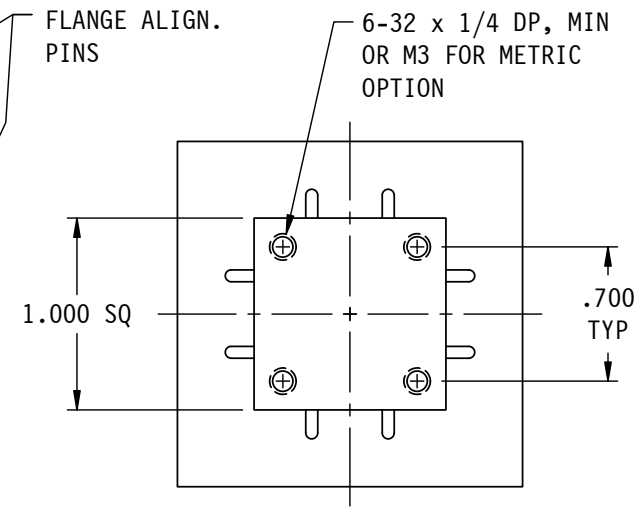
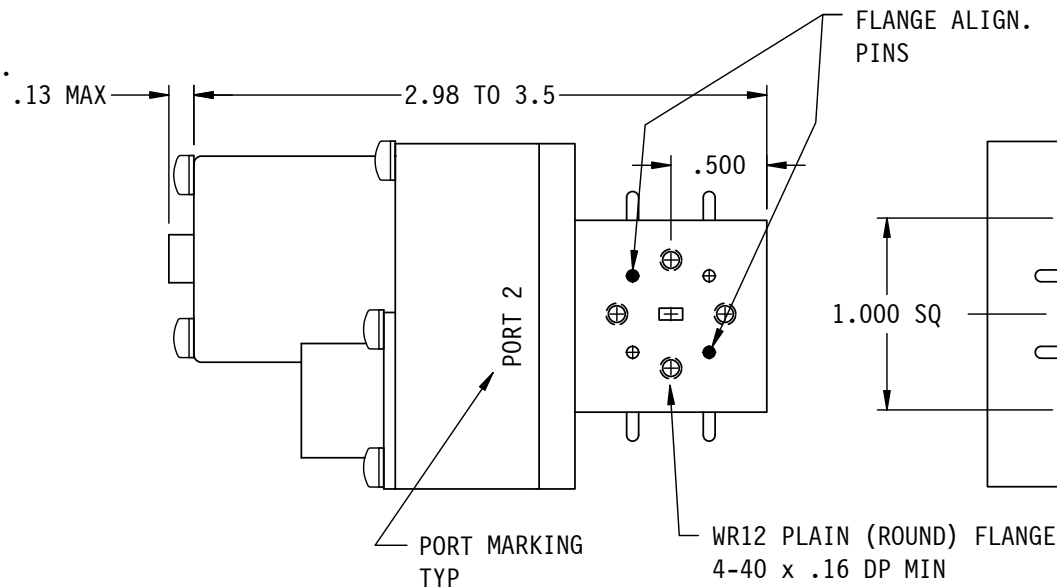
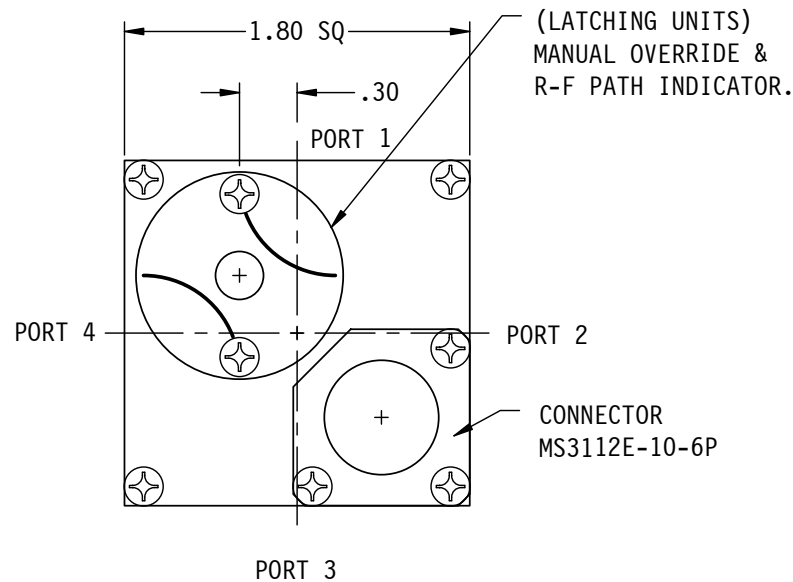


WR12 SERIES



SPECIFICATIONS;

- FREQ RANGE (GHz) — 60.0 - 90.0
- VSWR — 1.20 : 1 MAX
- INSERTION LOSS — 0.40 db, MAX
- ISOLATION — 50 db, MIN
- SWITCHING TIME — 50 mSec, TYP
- PRESSURE — TO 30 PSIG (R-F HEAD)
- FINISH — IRIDITE ON FLANGES, SATIN BLACK ENAMEL ON BODY.

NOTES:

1. ** MANUAL SWITCH DOES NOT INCLUDE RECEPTACLE.
2. BLUE BOXES ARE REQUIRED FIELDS.
3. !! IF OPTION IS NOT REQUIRED, LEAVE (GOLD BOX) BLANK

VOLTAGE	AMPS	CODE
+22 TO +32	0.9	A
-22 TO -32	0.9	B
+10 TO +14	1.5	C
-10 TO -14	1.5	D
+44 TO +54	0.5	E
-44 TO -54	0.5	F
117VAC	0.5	H
MANUAL **		M

PART NO. SELECTION

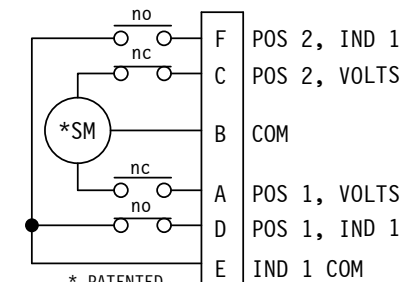
!! OPTION	CODE
METRIC THREAD	M

CODE	FLANGE
P	PLAIN (ROUND)

12	P	
PART NO. SERIES	12	CODE
	SPDT	1
	!! OPTION	CODE

PART NO. EX.: 12APM

WR12 LATCHING WG SWITCH, +28VDC, PLAIN ROUND FLANGE, METRIC MTG HOLES ON BOTTOM



STD. ELECTRICAL CKT. Shown in Position 1 ONE FORM C

WEB SITE: www.sectormicrowave.com

ZONE	LTR	DESCRIPTION	APV	DATE	TOLERANCES:	DRAWN	A.C.	10/17/97	SECTOR MICROWAVE IND., INC.		
	B	DELETED FAILSAFE OPTION	TN	2/12/08	DECIMALS	CHECKED			WR12 WG SW. : LIGHTWT. SER.		
	A	ADDED NOTE 1 & CALLOUTS. CLARIFIED FLANGE INFO.	AC	12/21/98	2 PLACES: +/- .03	APVD	J.P.	10/17/97			SIZE L
REVISIONS					3 PLACES: +/- .010	APVD			WR12 SERIES		
					FRACTIONS: +/- 1/64				SCALE: 1/1	UNIT WT.	SHEET 1 OF 1
					ANGLES: +/- 1/2 deg.				B		
								REV.			