

SPECIFICATIONS;

	W/G	COAX
FREQ RANGE	7.05 - 10.0 GHz	7.0 - 10.0
VSWR	1.05 : 1 Typ (1.08:1 Max)	1.3 : 1 Max.
INSERTION LOSS	0.05 db, Max.	0.35 db, Max.
ISOLATION	60 db, Min.	60 db, Min.
RF POWER	5KW AVG	50W Max.
SWITCHING TIME	60 mSec, Typ.	
PRESSURE	To 30 PSIG	
FINISH	IRIDITE ON FLANGE FACES, SATIN BLACK FINISH	

- NOTES:**
- ** MANUAL SWITCH DOES NOT INCLUDE RECEPTACLE.
 - BLUE BOXES ARE REQUIRED FIELDS.
 - !! IF OPTION IS NOT REQUIRED, LEAVE (GOLD BOX) BLANK

VOLTAGE **AMPS** **CODE**

+22 TO +32	0.9	A
-22 TO -32	0.9	B
+10 TO +14	1.5	C
-10 TO -14	1.5	D
+44 TO +54	0.5	E
-44 TO -54	0.5	F
117VAC	1.2	H
235VAC	0.5	K
MANUAL **		M

PART NO. SELECTION

CODE	FLANGE
P	PLAIN
C	CHOKE
O	O-RING
F	CPRF
G	CPRG

CODE	!! OPTION
M	METRIC THREAD

(USED IN A SHELTERED ENVIRONMENT)

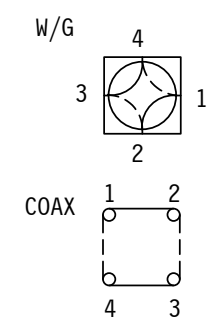
CODE	ENVIRONMENTAL
W	SHELTERED

PART NO. SERIES	HS-				
	CODE				

SPDT	1
!! OPTION	CODE

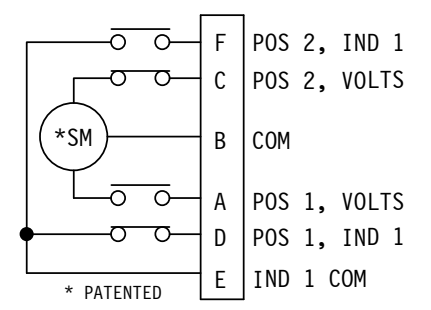
!! ELECTRICAL CIRCUIT (IF OTHER THAN STD.) SEE SCHEMATIC PAGE

PART NO. EX.: HS-BPMW2
 WR112 WG/SMA COAX SWITCH, -28VDC, PLAIN FLANGE, METRIC THDS., SHELTERED, CIRCUIT #2.



R-F PATHS

— POS 1
 - - - POS 2



WEB SITE: www.sectormicrowave.com

ZONE	LTR	DESCRIPTION	APV	DATE	TOLERANCES: DECIMALS 2 PLACES: +/- .03 3 PLACES: +/- .010 FRACTIONS: +/- 1/64 ANGLES: +/- 1/2 deg.	DRAWN J TRACY 1/28/04	CHECKED	APVD RR 1/28/04	APVD	SCALE: NONE	UNIT WT.	SHEET 1 OF 1	REV. A
	A	RELEASED	RR	1/28/04									
SECTOR MICROWAVE IND., INC.													
WR112 WG/SMA COAX SHELTERED SW. SER.													
SIZE L MFG CODE 53263 HS-xxW SERIES													