

**SPECIFICATIONS:**  
 FREQ RANGE 7.05 TO 10.0 GHz  
 VSWR 1.05 : 1 TYP (1.08:1 MAX)  
 INSERTION LOSS 0.05 db MAX  
 ISOLATION 60 db MIN  
 SWITCHING TIME 60 mSEC, TYP  
 PRESSURE TO 30 PSIG (R-F HEAD)  
 FINISH IRIDITE ON FLANGES, SATIN BLACK ENAMEL ON REST OF BODY.

**PART NO. SELECTION**

VOLTAGE	AMPS	CODE
+22 TO +32	0.9	A
-22 TO -32	0.9	B
+10 TO +14	1.5	C
-10 TO -14	1.5	D
+44 TO +54	0.5	E
-44 TO -54	0.5	F
117VAC	0.5	H
235VAC	0.5	K
MANUAL **		M

CODE	FLANGE
P	PLAIN
C	CHOKE
O	O-RING
F	CPRF
G	CPRG

LOCKING	CODE
	L

CODE	SW. LOCKED IN POSITION
1	POS. 1
2	POS. 2
3	POS. 1 & 2

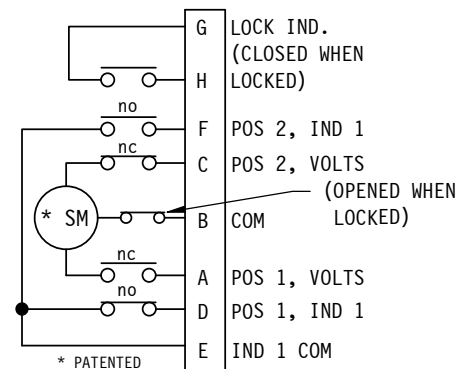
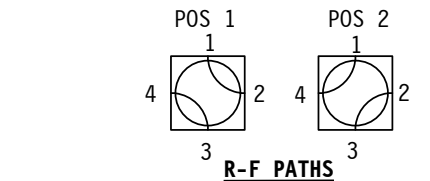
**!! ELECTRICAL CIRCUIT (IF OTHER THAN STD.)**

CODE	!! OPTION
1	SPDT

CODE	KEY REMOVABLE
1	LOCKED POS.
2	LOCKED & UNLOCKED POS.

H-						L
PART NO. SERIES	H-					CODE
		METRIC THREAD	M	W	SHELTERED	
		!! OPTION	CODE	CODE	!! OPTION	

(USED IN A SHELTERED ENVIRONMENT)



STD. ELECTRICAL CKT. (with lock ind.)  
 Shown in Position 1  
 ONE FORM C

- NOTES:**  
 1. \*\* MANUAL SWITCH DOES NOT INCLUDE RECEPTACLE.  
 2. BLUE BOXES ARE REQUIRED FIELDS.  
 3. !! IF OPTION IS NOT REQUIRED, LEAVE (GOLD BOX) BLANK

FOR OTHER ELECT CKT'S SEE SCHEMATIC PAGE.

WEB SITE: [www.sectormicrowave.com](http://www.sectormicrowave.com)

A		RELEASED.	RR	1/28/04	TOLERANCES: DECIMALS 2 PLACES: +/- .03 3 PLACES: +/- .010 FRACTIONS: +/- 1/64 ANGLES: +/- 1/2 deg.	DRAWN	A.C.	1/28/04	<b>SECTOR MICROWAVE IND., INC.</b>	
ZONE	LTR	DESCRIPTION	APV	DATE		CHECKED				WR112 W/G SWITCH, LOCKING SERIES
		REVISIONS				APVD	R.R.	1/28/04		SIZE L MFG CODE <b>53263</b>
						APVD				H-xxLxx LOCKING SERIES
									A	
									REV.	
									SCALE: NONE	
									UNIT WT.	
									SHEET 1 OF 1	