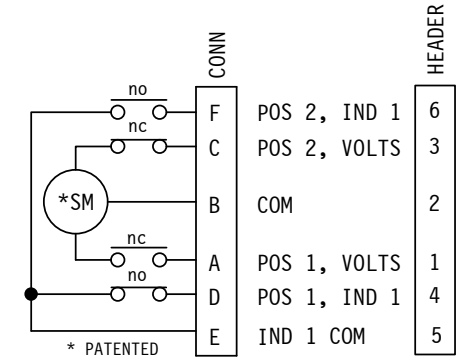
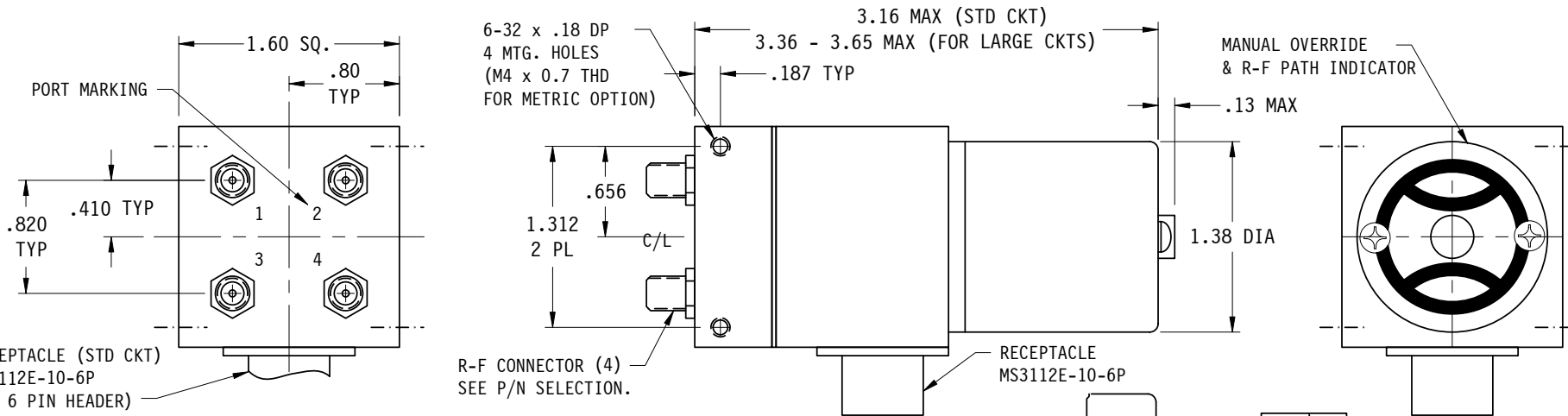


# SM7x SERIES



## PART NO. SELECTION

VOLTAGE	AMPS	CODE	CODE	FREQ RANGE (GHz)
+22 TO +32	0.9	A	1	0-1
-22 TO -32	0.9	B	2	0-2
+10 TO +14	1.5	C	3	2.1-2.7
-10 TO -14	1.5	D	4	3.7-4.2
+44 TO +54	0.5	E	5	5.9-6.5
-44 TO -54	0.5	F	6	7.2-7.8
117VAC	1.2	H	7	7.9-8.4
235VAC	0.5	K	11	10.9-11.7
MANUAL **		M	12	11.7-12.2
			13	12.2-12.7
			14	14.0-14.5
			15	10.0-15.0
			20	0.0-18.0

R-F CONN	CODE
SMA	S-
BNC ##	B-
TNC ##	T-

## OPTIONS

CODE	!! OPTION
57	50 OHM BNC/TNC USED @75 OHM
75	75 OHM BNC/TNC
	!! ELECTRICAL CIRCUIT (IF OTHER THAN STD. SEE SCHEMATIC PAGE)
	CODE !! OPTION
	-9 EXTENDED SHAFT
	CODE !! OPTION
M	METRIC THREAD
CODE	!! OPTION

!! ELECTRICAL CIRCUIT (IF OTHER THAN STD. SEE SCHEMATIC PAGE)



PART NO.	SM7	CONNECTOR	C
SERIES	CODE	6 PIN HEADER	H
		RECEPTACLE CHOICE	CODE

PART NO. EX.: SM7S-A4CM2-9

SMA COAXIAL SW., +28 VDC, FREQ RANGE 3.7 TO 4.2 GHz, CONNECTOR, METRIC THREADS, ELECT CKT #2, EXTENDED SHAFT WITH KNOB

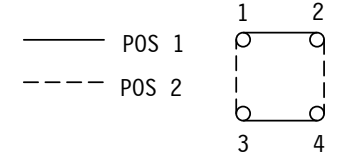
## NOTES:

- ## BNC & TNC AVAILABLE FROM 0-2 GHz ONLY.
- \*\* MANUAL SWITCH DOES NOT INCLUDE RECEPTACLE.
- BLUE BOXES ARE REQUIRED FIELDS.
- !! IF OPTION IS NOT REQUIRED, LEAVE (GOLD BOX) BLANK.

## SPECIFICATIONS:

FREQ RANGE (GHz)	0-1	1-2	2-6.5	6.5-11	11-15	15-18
VSWR	1.10	1.15	1.25	1.30	1.35	1.50
INS. LOSS db, MAX	0.05	0.10	0.25	0.30	0.35	0.5
ISOLATION db, MIN	80	70	60	60	50	50

- R-F POWER — 50 WATTS, MAX
- R-F CONTACTS — BREAK-BEFORE-MAKE CONTACTS
- SWITCHING TIME — 50 mSEC, NOM
- LIFE — 100,000 OPERATIONS
- DRIVE — LATCHING SECTOR MOTOR
- FINISH — SATIN BLACK ENAMEL



## R-F PATHS

ZONE	LTR	DESCRIPTION	APV	DATE
	A	RELEASED.	JP	9/4/92
<b>REVISIONS</b>				

TOLERANCES:	DRAWN	A.C.	9/2/92
DECIMALS	CHECKED		
2 PLACES: +/- .03	APVD	J.P.	9/4/92
3 PLACES: +/- .010	APVD		
FRACTIONS: +/- 1/32			
ANGLES: +/- 1/2 deg.			

**SECTOR MICROWAVE IND., INC.**

COAX SW.; LATCHING; SMA, BNC, TNC SERIES.

SIZE	L MFG CODE	<b>53263</b>	<b>SM7x SERIES</b>	A
SCALE: NONE	UNIT WT.		SHEET 1 OF 1	REV.