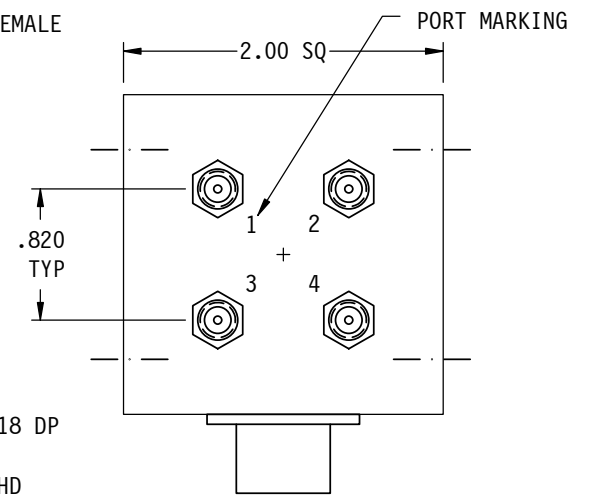
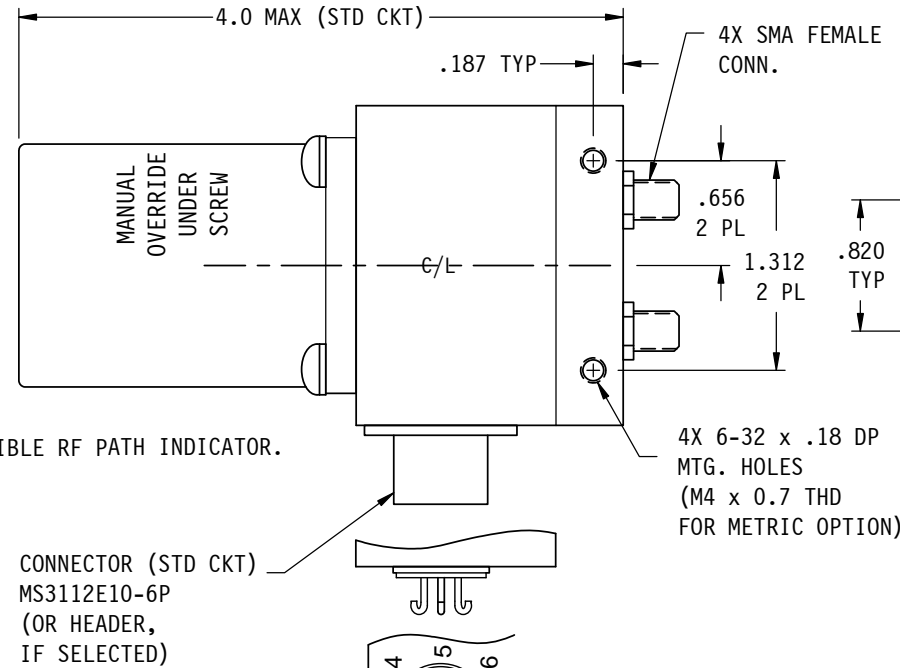
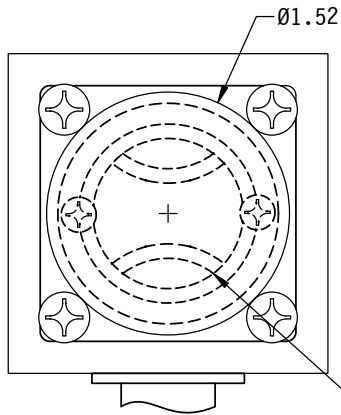
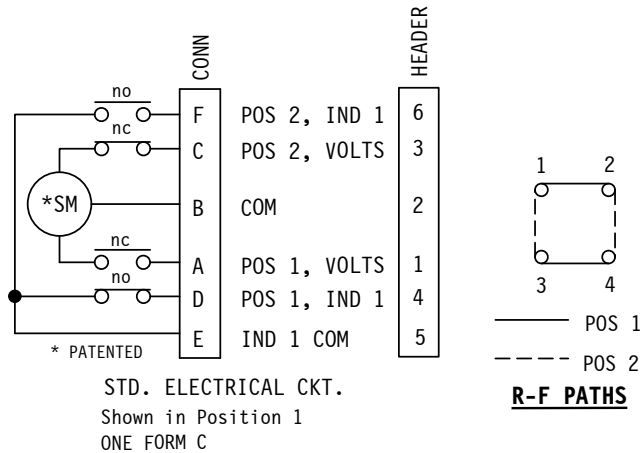
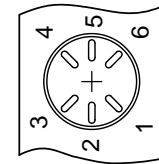


SM7S-x22xS SERIES



6 PIN HEADER OPTION



PART NO. SELECTION

VOLTAGE	AMPS	CODE
+22 TO +32	0.9	A
-22 TO -32	0.9	B
+10 TO +14	1.5	C
-10 TO -14	1.5	D
+44 TO +54	0.5	E
-44 TO -54	0.5	F
117VAC	1.2	H
235VAC	0.5	K
MANUAL **		M

OPTIONS

CODE	ENVIRONMENTAL
S	SEALED

CODE	FREQ RANGE
22	0.0-22.5 GHz

!! ELECTRICAL CIRCUIT (IF OTHER THAN STD. SEE SCHEMATIC PAGE)

CODE	METRIC THREAD
M	METRIC THREAD
!!	!! OPTION

NOTES:

- ** MANUAL SWITCH DOES NOT INCLUDE RECEPTACLE.
- BLUE BOXES ARE REQUIRED FIELDS.
- !! IF OPTION IS NOT REQUIRED, LEAVE (GOLD BOX) BLANK.

SPECIFICATIONS:

FREQ RANGE (GHz)	0-22.5
VSWR	1.50
INS. LOSS db, MAX	0.5
ISOLATION db, MIN	60

- RF POWER — 50 WATTS, MAX
- RF CONTACTS — BREAK-BEFORE-MAKE CONTACTS
- SWITCHING TIME — 50 mSEC, NOM
- LIFE — 100,000 OPERATIONS
- DRIVE — LATCHING SECTOR MOTOR
- FINISH — SATIN BLACK ENAMEL

PART NO.	SM7S-SERIES
SM7S-	CODE

CONNECTOR	C
6 PIN HEADER	H
**RECEPTACLE	CODE

PART NO. EX.: SM7S-A22CMS2

SMA COAXIAL SW., +28 VDC, FREQ RANGE 0 TO 22.5 GHz, CONNECTOR, METRIC THREADS, SEALED, ELECT. CKT #2.

WEB SITE: www.sectormicrowave.com

ZONE	LTR	DESCRIPTION	APV	DATE
	A	RELEASED.	RR	10/4/06
REVISIONS				

TOLERANCES:
DECIMALS
2 PLACES: +/- .03
3 PLACES: +/- .010
FRACTIONS: +/- 1/32
ANGLES: +/- 1/2 deg.

DRAWN	A.C.	10/4/06
CHECKED		
APVD	R.R.	10/4/06
APVD		

SECTOR MICROWAVE IND., INC.			
COAX SW.: SMA, HI-FREQ SEALED SERIES			
SIZE	L	CAGE CODE 53263	SM7S-x22xS SERIES
SCALE: NONE	UNIT WT.	SHEET 1 OF 1	A REV.