

SM7N-x8xSx

PART NO. SELECTION

VOLTAGE	AMPS	CODE
+22 TO +32	0.9	A
-22 TO -32	0.9	B
+10 TO +14	1.5	C
-10 TO -14	1.5	D
+44 TO +54	0.5	E
-44 TO -54	0.5	F
117VAC	1.2	H
235VAC	0.5	K
MANUAL **		M

CODE	FREQ RANGE (GHz)
8	0.0 - 8.5

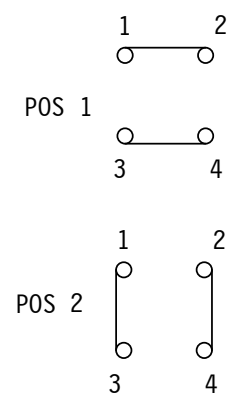
!! ELECTRICAL CIRCUIT (IF OTHER THAN STD. SEE SCHEMATIC PAGE)

SM7N-	<input checked="" type="checkbox"/>	<input checked="" type="checkbox"/>	<input type="checkbox"/>	S	<input type="checkbox"/>
PART NO. SM7N-	METRIC THREAD	M		S	SEALED
SERIES CODE	!! OPTION	CODE		CODE	ENVIRONMENTAL

SPECIFICATIONS

	0 - 1	1 - 2	2-6.5	6.5-8.5
FREQ RANGE (GHz)	0 - 1	1 - 2	2-6.5	6.5-8.5
VSWR	1.1	1.15	1.25	1.30
INS. LOSS db MAX	0.05	0.10	0.25	0.30
ISOLATION db MIN	80	70	60	60
R-F POWER	100 WATTS, MAX			
R-F CONTACTS	BREAK-BEFORE-MAKE CONTACTS.			
LIFE	100,000 OPERATIONS.			
SWITCHING TIME	50 mSEC, NOM			
DRIVE	LATCHING, SECTOR MOTOR.			
MARKING	PORTS NUMBERED AS SHOWN ABOVE.			
FINISH	SATIN BLACK ENAMEL.			

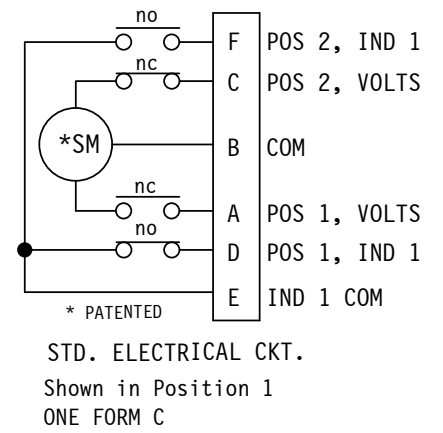
TYPE 'N' FEMALE CONNECTORS (4)



R-F PATHS

PART NO. EX.: SM7N-A8MS2
 TYPE 'N' COAXIAL SW., +28 VDC, FREQ RANGE 0.0 TO 8.5 GHz, METRIC THREADS, SEALED, CKT #2.
 WEB SITE: www.sectormicrowave.com

- NOTES:**
- ** MANUAL SWITCH DOES NOT INCLUDE RECEPTACLE.
 - BLUE BOXES ARE REQUIRED FIELDS.
 - !! IF OPTION IS NOT REQUIRED, LEAVE (GOLD BOX) BLANK.



ZONE	LTR	DESCRIPTION	APV	DATE
	A	REV PER ECN 05-093.	TN	11/11/05
	-	RELEASED.	TN	4/29/03
REVISIONS				

TOLERANCES: DECIMALS 2 PLACES: +/- .03 3 PLACES: +/- .010 FRACTIONS: +/- 1/32 ANGLES: +/- 1/2 deg.	DRAWN	A.C.	4/28/03
	CHECKED		
	APVD	R.R.	4/28/03
	APVD		

SECTOR MICROWAVE IND., INC.

TYPE N COAX SW, WIDE BAND SEALED SER.

SIZE	L	MFG CODE	53263	SM7N-x8xSx	A
SCALE		UNIT WT.		SHEET 1 OF 1	REV.