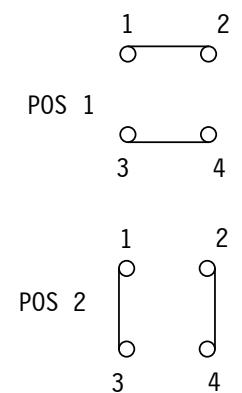
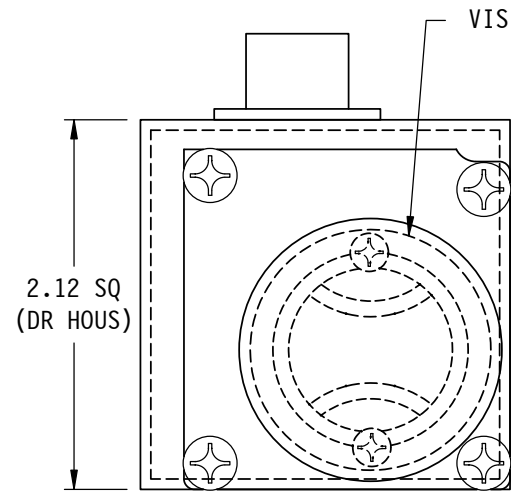
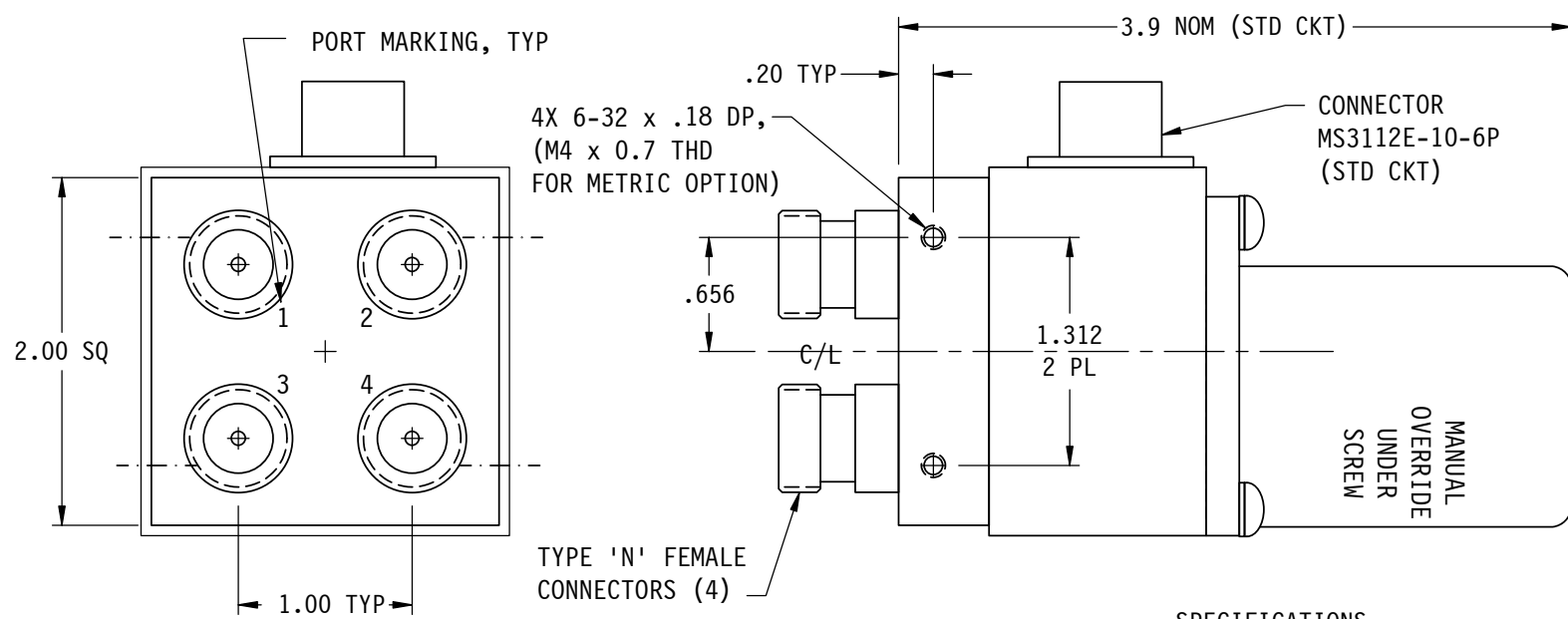


**SM7N-xxS SERIES**



**R-F PATHS**

**PART NO. SELECTION**

VOLTAGE	AMPS	CODE	CODE	FREQ RANGE (GHz)
+22 TO +32	0.9	A	1	0-1
-22 TO -32	0.9	B	2	0-2.5
+10 TO +14	1.5	C	3	2.0-3.0
-10 TO -14	1.5	D	4	3.7-4.2
+44 TO +54	0.5	E	5	5.9-6.5
-44 TO -54	0.5	F	6	7.2-7.8
117VAC	1.2	H	7	7.9-8.4
235VAC	0.5	K	5B	0-6.5
MANUAL **		M		

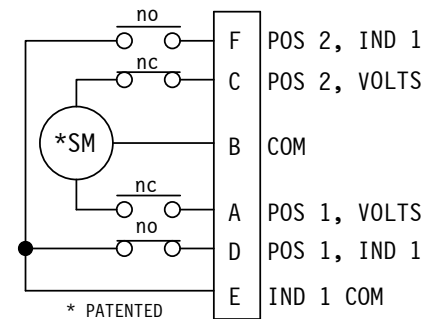
**!! ELECTRICAL CIRCUIT (IF OTHER THAN STD. SEE SCHEMATIC PAGE)**

SM7N-			S	
PART NO. SERIES	SM7N-CODE	METRIC THREAD !! OPTION	M CODE	S CODE ENVIRONMENTAL

PART NO. EX.: SM7N-A4MS2  
 TYPE 'N' COAXIAL SW., +28 VDC, FREQ RANGE 3.7 TO 4.2 GHz, METRIC THREADS, SEALED, CKT #2.

**SPECIFICATIONS**

FREQ RANGE (GHz)	0 - 1	1 - 2	2-6.5	6.5-8.4
VSWR	1.1	1.15	1.25	1.30
INS. LOSS db MAX	0.05	0.10	0.25	0.30
ISOLATION db MIN	80	70	60	60
R-F POWER	100 WATTS, MAX			
R-F CONTACTS	BREAK-BEFORE-MAKE CONTACTS.			
LIFE	100,000 OPERATIONS.			
SWITCHING TIME	50 mSEC, NOM			
DRIVE	LATCHING, SECTOR MOTOR.			
MARKING	PORTS NUMBERED AS SHOWN ABOVE.			
FINISH	SATIN BLACK ENAMEL.			



STD. ELECTRICAL CKT.  
 Shown in Position 1  
 ONE FORM C

- NOTES:
- \*\* MANUAL SWITCH DOES NOT INCLUDE RECEPTACLE.
  - BLUE BOXES ARE REQUIRED FIELDS.
  - !! IF OPTION IS NOT REQUIRED, LEAVE (GOLD BOX) BLANK.

WEB SITE: [www.sectormicrowave.com](http://www.sectormicrowave.com)

TOLERANCES: DECIMALS 2 PLACES: +/- .03 3 PLACES: +/- .010 FRACTIONS: +/- 1/32 ANGLES: +/- 1/2 deg.		DRAWN	AC	10/5/06	<b>SECTOR MICROWAVE IND., INC.</b>	SM7N SEALED SERIES					
A RELEASED.		CHECKED				SIZE L	CAGE CODE 53263	SM7N-xxS SERIES	A		
ZONE	LTR	DESCRIPTION	APV	DATE	APVD	RR	10/5/06	SCALE: NONE	UNIT WT.	SHEET 1 OF 1	REV.
REVISIONS											