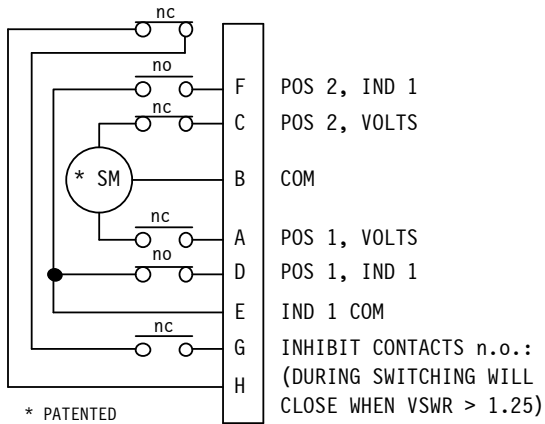


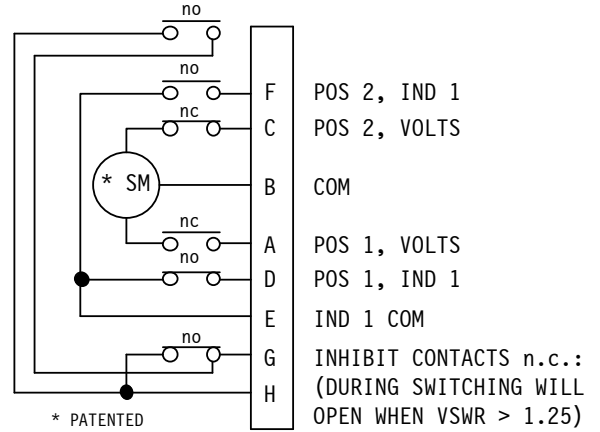
SWITCH SERIES:

SMALL: WR10 THROUGH WR137MINI  
 LARGE: WR137LARGE THROUGH WR430



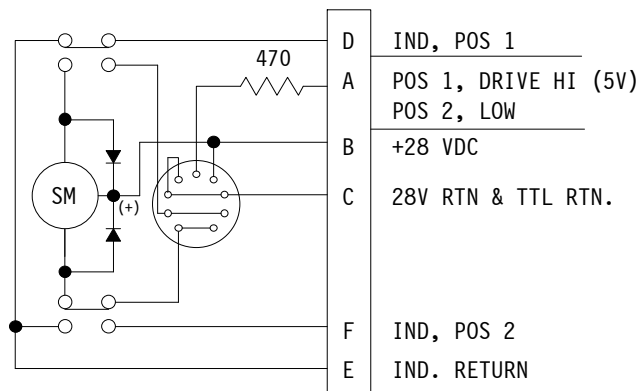
**ELECTRICAL CKT # 6**  
 Shown in Position 1  
 ONE FORM C & INHIBIT

SWITCH SERIES	CONNECTOR	MATING CONNECTOR
SMALL	MS3112E12-10P	MS3116E12-10S
LARGE	MS3112E14-12P	MS3116E14-12S



**ELECTRICAL CKT # 6A**  
 Shown in Position 1  
 ONE FORM C & INHIBIT

SWITCH SERIES	CONNECTOR	MATING CONNECTOR
SMALL	MS3112E12-10P	MS3116E12-10S
LARGE	MS3112E14-12P	MS3116E14-12S



TTL ELECT. CKT. (Ckt # TA)  
 Shown in Position 1



SECTOR MICROWAVE INDUSTRIES, INC.

<http://www.sectormicrowave.com>

