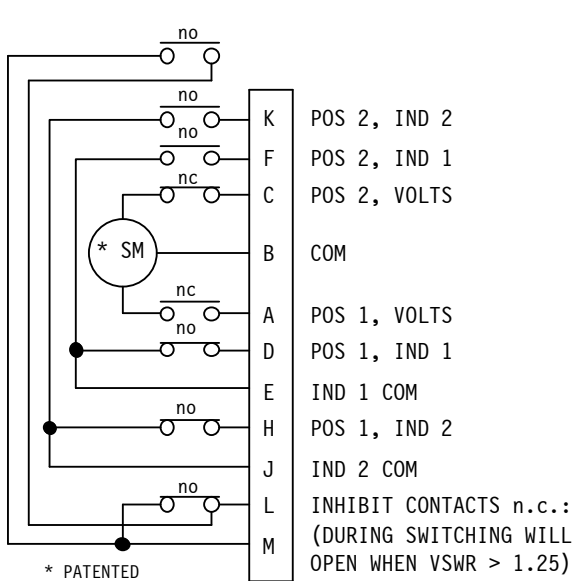


SWITCH SERIES:

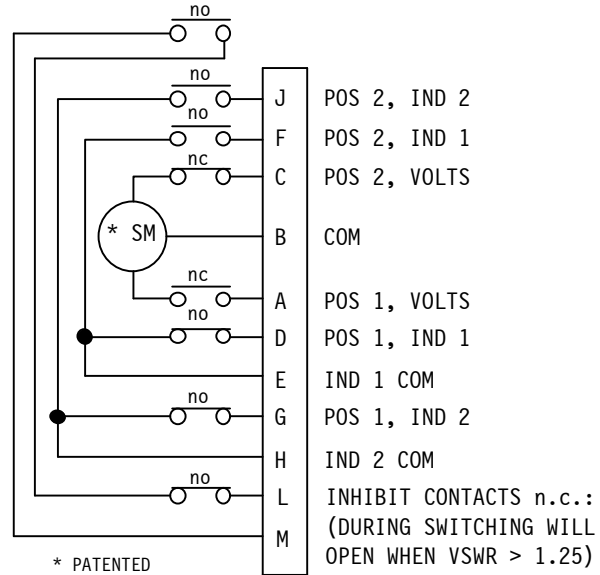
SMALL: WR10 THROUGH WR137MINI
 LARGE: WR137LARGE THROUGH WR430



ELECTRICAL CKT # 5

Shown in Position 1
 TWO FORM C's & INHIBIT

SWITCH SERIES	CONNECTOR	MATING CONNECTOR
SMALL & LARGE	MS3112E14-12P	MS3116E14-12S



ELECTRICAL CKT # 5A

Shown in Position 1
 TWO FORM C's & INHIBIT

SWITCH SERIES	CONNECTOR	MATING CONNECTOR
SMALL & LARGE	MS3112E14-12P	MS3116E14-12S



SECTOR MICROWAVE INDUSTRIES, INC.

<http://www.sectormicrowave.com>

