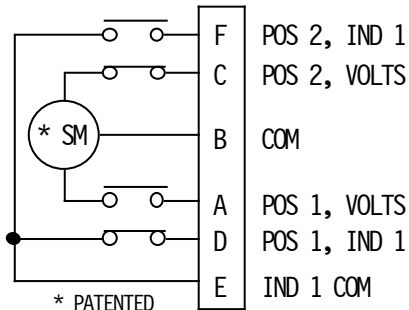


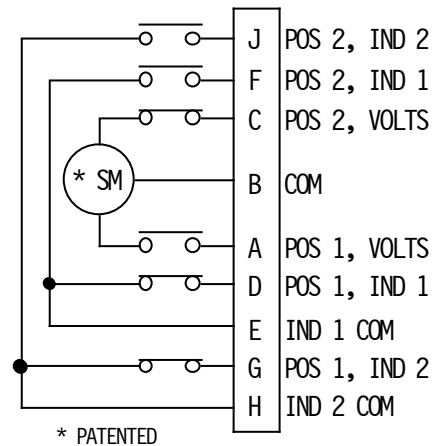
## SWITCH SERIES:

SMALL: WR10 THROUGH WR137MINI  
 LARGE: WR137LARGE THROUGH WR430



\* PATENTED  
 STD. LATCHING ELECTRICAL CKT.  
 Shown in Position 1  
 ONE FORM C

SWITCH SERIES	CONNECTOR	MATING CONNECTOR
SMALL	MS3112E10-6P	MS3116F10-6S
LARGE	MS3102E14S-6P	MS3106F14S-6S



\* PATENTED  
 LATCHING ELECTRICAL CKT # 2  
 Shown in Position 1  
 TWO FORM C's

SWITCH SERIES	CONNECTOR	MATING CONNECTOR
SMALL	MS3112E12-10P	MS3116F12-10S
LARGE	MS3112E14-12P	MS3116F14-12S



SECTOR MICROWAVE INDUSTRIES, INC.

<http://www.sectormicrowave.com>

