

VOLTAGE	AMPS	CODE
+22 TO +32	0.9	A
-22 TO -32	0.9	B
+10 TO +14	1.5	C
-10 TO -14	1.5	D
+44 TO +54	0.5	E
-44 TO -54	0.5	F
117VAC	1.2	H
235VAC	0.8	K
MANUAL **		M

PART NO. SELECTION

CODE	!! OPTION
57	50 OHM BNC/TNC USED @75 OHM
75	75 OHM BNC/TNC

FOLLOWED BY LENGTH IN () IF OTHER THAN STD.

CODE	!! OPTION
-9	EXTENDED SHAFT##

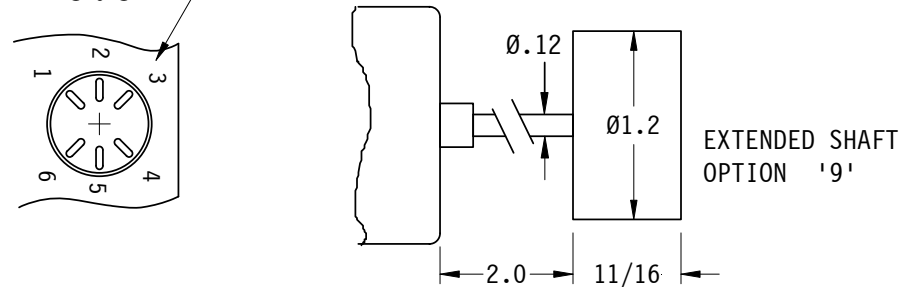
FREQ RANGE (GHz)	R-F CONN	CODE
0.0 TO 18.0	SMA	S-
0.0 TO 2.0	BNC	B-
0.0 TO 2.0	TNC	T-

7R		
-----------	--	--

PART NO.	7R
SERIES	CODE

--	--

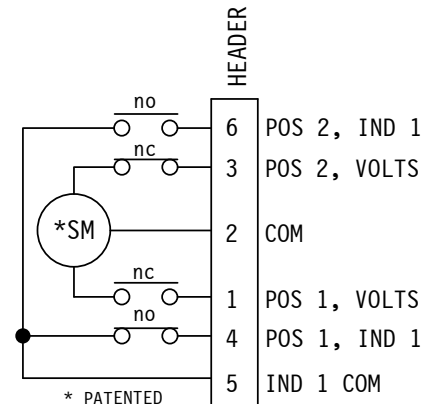
M	METRIC THREAD
CODE	!! OPTION



SPECIFICATIONS;

FREQ RANGE (GHz)	0-1	1-2	2-6.5	6.5-11	11-15	15-18
VSWR	1.10	1.15	1.25	1.30	1.35	1.50
INS. LOSS db, MAX	0.05	0.10	0.25	0.30	0.35	0.5
ISOLATION db, MIN	80	70	60	60	50	50

- R-F POWER — 50 WATTS, MAX
- R-F CONTACTS — BREAK-BEFORE-MAKE CONTACTS
- SWITCHING TIME — 50 mSEC, NOM
- LIFE — 100,000 OPERATIONS
- DRIVE — LATCHING SECTOR MOTOR
- FINISH — SATIN BLACK ENAMEL



* PATENTED
STD. ELECTRICAL CKT.
Shown in Position 1
ONE FORM C

NOTES:

- ** MANUAL SWITCH DOES NOT INCLUDE HEADER.
- BLUE BOXES ARE REQUIRED FIELDS.
- !! IF OPTION IS NOT REQUIRED, LEAVE (GOLD BOX) BLANK.

PART NO. EX.: 7RS-AM-9 (5)

SMA RECTANGULAR COAX SW., +28 VDC, METRIC THREADS, 5" EXTENDED SHAFT WITH KNOB.

WEB SITE: www.sectormicrowave.com

ZONE	LTR	DESCRIPTION	APV	DATE	TOLERANCES: DECIMALS 2 PLACES: +/- .03 3 PLACES: +/- .010 FRACTIONS: +/- 1/64 ANGLES: +/- 1/2 deg.	DRAWN	A.C.	3/4/94	SECTOR MICROWAVE IND., INC.						
	A	RELEASED.	JP	3/4/94		CHECKED			COAX SWITCH; RECTANGULAR BASE						
		REVISIONS				APVD	J.P.	3/4/94	SIZE	L	MFG CODE	53263	7Rx-x	SERIES	A
						APVD			SCALE: NONE		UNIT WT.		SHEET 1 OF 1		REV.